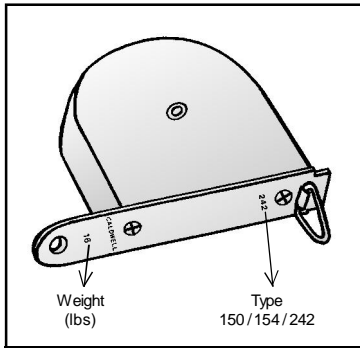
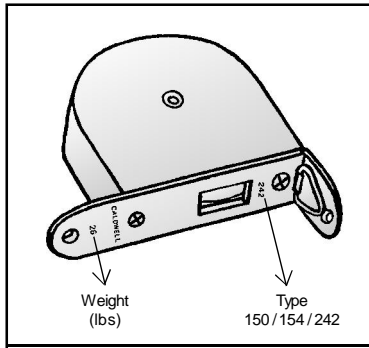


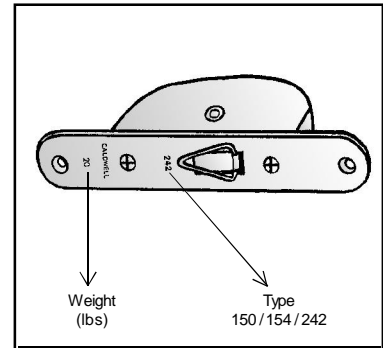
CALDWELL TAPE BALANCES



FT Style



AT Style



S Style

Weight factor based on one (1) pair

HOW TO ORDER:

1. Identify style by above drawings: FT, AT or S.
2. Identify type (type number will be stamped on the face plate).
In some cases, you may need to scrape off paint or dirt to locate the type number.
3. Identify weight (weight number will be stamped on the face plate).

Other Caldwell sash balances, not described on this page, have been developed for specific purposes, special windows or other devices and can be special ordered.
Please send samples, or details, to our Customer Service Department.

Face Plate Length

FT Style

150-FT	5-1/8"
154-FT	5-13/16"
242-FT	4-11/16"

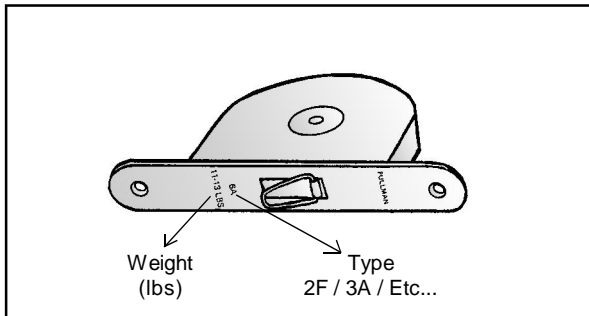
AT Style

150-AT	4-11/16"
154-AT	5-15/32"
242-AT	4-5/16"

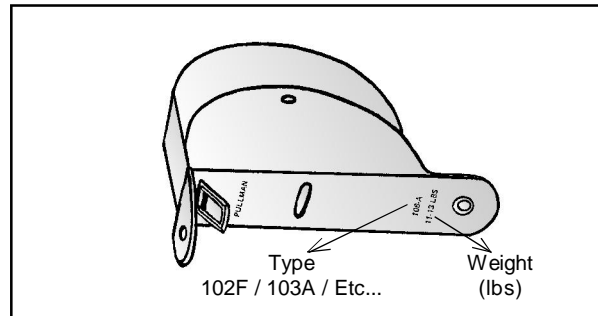
S Style

150-S	6"
154-S	7"
242-S	5-5/8"

PULLMAN TAPE BALANCES



Side Style



Overhead Style

HOW TO ORDER:

1. Identify style by above drawings: Side Style or Overhead Style.
2. Identify type (type number will be stamped on the face plate).
In some cases, you may need to scrape off paint or dirt to locate the type number.
3. Identify weight (weight number will be stamped on the face plate).

***Customer Samples are highly recommended to ensure proper identification of tape balances.**

Face Plate Length

Side Style

F	4-3/8"
A	6"
L	7-7/16"
M	8-3/4"

Overhead Style

F	3-3/8"
A	4-11/16"
L	5-7/8"
M	7-1/4"