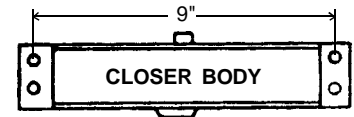
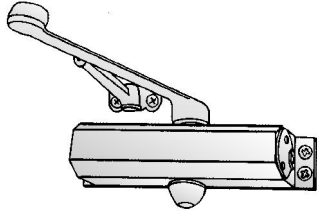


**COMMERCIAL DOOR CLOSERS**

**MADE IN THE U.S.A.  
FULL 10 YEAR FACTORY WARRANTY**



**Closer Body Length:**  
9-3/4"

Blaine Door Closers provide narrow styling and installation versatility. They are ideal for use with aluminum doors and frames, yet they make an attractive installation on wood or metal doors.

**SIZE SELECTION CHART**

MODEL	MAXIMUM DOOR WIDTH	
	INTERIOR	EXTERIOR
DC 2	2'8"	--
DC 3	3'0"	2'6"
DC 4	3'8"	3'0"
DC 5	4'0"	3'6"

**FEATURES**

**Standard**

- Non-Handed
- Aluminum Alloy Shell
- Adjustable Closing Speed
- Adjustable Latching Speed
- Non-Hold Open
- Adjustable Power Shoe

**Optional**

- Adjustable Delayed Action Closing (ADA)
- Adjustable Back Check Cushioning
- Hold Open Arm

**U.L. & U.L.C. Listing**

All Blaine door closers, with non-hold open arms or hold open arms, are listed by Underwriters Laboratories under their continuing re-inspection programs.

Blaine Door Closers are non handed and, for standard non-hold open or hold open applications, can be mounted on regular and top jamb installations. An optional mounting bracket is available for parallel installations. **ADA Closers also available. Please call for detailed information.**

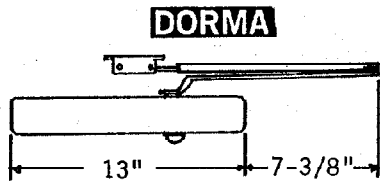
**COMPARISON CHART**

FUNCTION	Blaine	Yale	Norton	Dorma	LCN
Standard	DC Series	50	1600	600	---
Backcheck	DC Series-BC	50BC	1600BC	610	1070
Parallel Arm	DC Series-PA	50	1600PA	600PA	1070P
Hold Open	DC Series-HO	150	1600H	600FHO	1070H

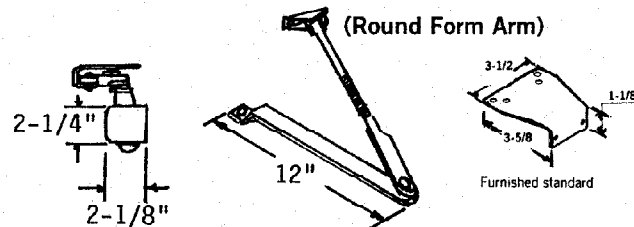


**DC 8**

Adjustable from sizes 1 thru 6



Standard Sprayed Finishes: Aluminum or Gold



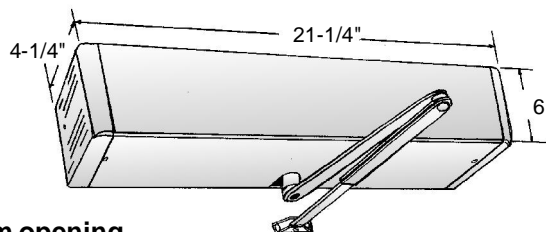
Minimum door rail for mounting closer 5-1/8".\*  
Minimum door rail to bottom of optional full cover 6-1/4".\*  
Backcheck positioning valve in "ON" position.  
\* Based on 5/8" stop.

CLOSER	INTERIOR/ EXTERIOR	DOOR WIDTH					
		2'-0" min.	2'-6" max.	3'-0" max.	3'-6" max.	4'-0" max.	4'-6" max.
	INTERIOR	•	•	♿	•	•	•
	EXTERIOR	•	•	♿	•	•	N/A

MAXIMUM OPENING	APPROX. BACKCHECK	APPROX. DELAYED ACTION	MINIMUM DOOR WIDTH
180°	60°-180°	180°-75°	24"

**DC-144 Closer  
DC-144 Switch**

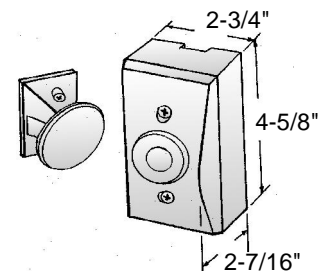
**Electric Door Closer**



115 degree maximum opening  
62 - 115 degree backcheck range  
85 - 115 degree hold open range

Adjustable spring power for doors from 3 ft. to 4 ft wide.  
Minimum frame face for mounting unit: 1-5/8".

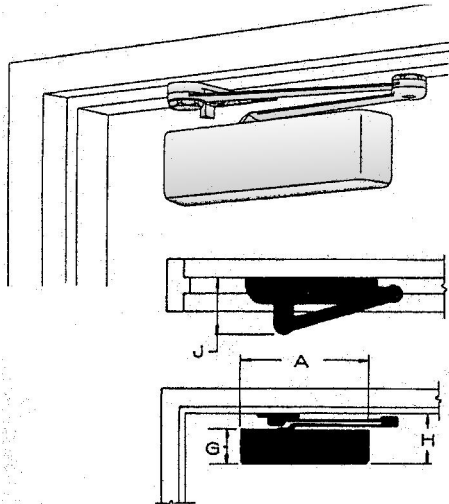
**Magnetic Door Holder  
20631**



Wall mount magnet  
24 volts  
AC or DC

# LCN Smoothee Door Closer

For Interior or Exterior Use



A	G	H	J
12-1/4"	3-1/2"	5-1/8"	5-1/2"

Mounts on stop face (push side) of door.  
With door closed, arm folds to position parallel to door.

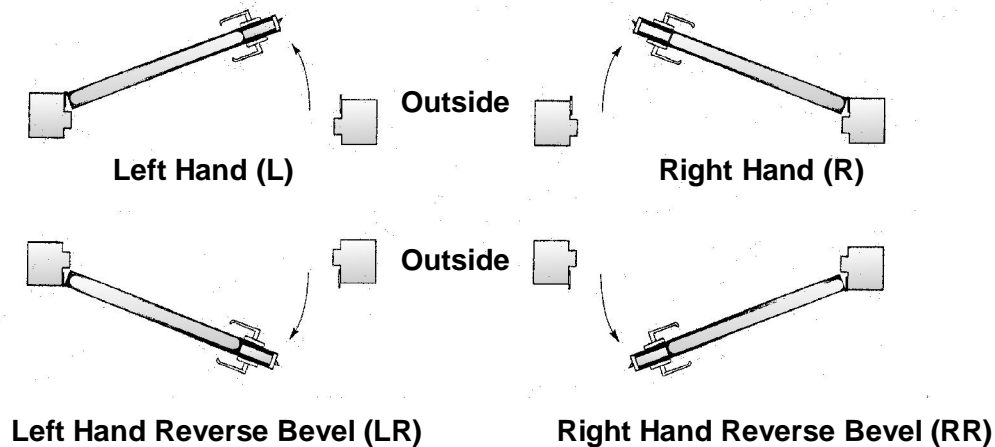
Other features and accessories available such as fusible link arm and drop plates. Contact our research for further information.

Maximum width of doors		Part No.
Exterior	Interior	
3'0"	3'8"	DC-130 (w/reg. arm)  DC-130-L-037 DC-130-L-038 DC-130-R-037 DC-130-R-038
2'2" thru 3'6"	2'2" thru 4'6"	DC-140 (w/hold open arm)  DC-140-L-037 DC-140-R-037  DC-140-HO-L-037 DC-140-HO-R-037  DC-140H-EDA-L-037 DC-140H-EDA-R-037

## Door Conditions

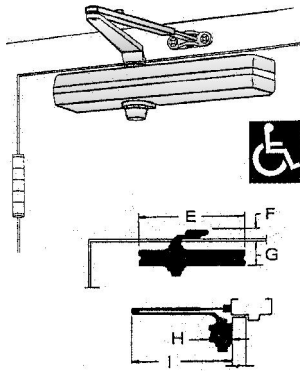
Hand of door is always determined from the outside.

- Here are a few of the rules to follow:
- The outside of an exterior door is the street or entrance side.
- The outside of a room door is the hall side.
- The outside of a single communicating door is the side from which the hinges are not visible when the door is closed.
- The outside of a closet door is the room or hall side.



## LCN Super Stock Closer - 1460 Series

Non Handed, Non sized for Interior or Exterior Use



**Features:**

- One 1460 Super stock can be mounted three different ways.
  1. Hinge Face
  2. Top Jamb
  3. Stop face (parallel arm)
- 1460 Series is non-handed, non-sized with spring power adjustable from size 2 through 6
- Adjustable hydraulic back check provides cushioning of opening swing prior to 90 degrees.
- Delayed action optional.
- Heavy-duty forged main arm.
- Cast Iron cylinder.
- Full rack and pinion hydraulic action.
- Joints in arm and shoe adapt to uneven trim.
- Non-critical regulating screws are tamper resistant.
- 10 year warranty ; UL Listings

<b>Part No. DC0017-1460-037</b>		<b>Has backcheck</b>
<b>Exterior or Vestible Door</b>	<b>Interior Doors</b>	<b>Reg. Arm</b>
2'0" (600 MM) through 4'0" (1200 MM)	2'0" (600 MM) through 5'0" (1500 MM)	1460

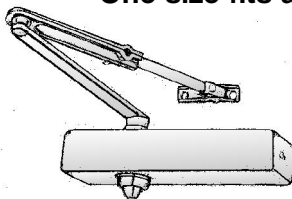
E	F	G	H	I
12-1/4"	1-1/8"	2-11/16"	2-3/8"	11-1/4"

For closers with fusible link options, see the LCN Smoother page

## 2200 Series Door Closer

Order Part No. DC0154-037

**Non-sized Door Closer  
Non-Hold Open  
One size fits all**

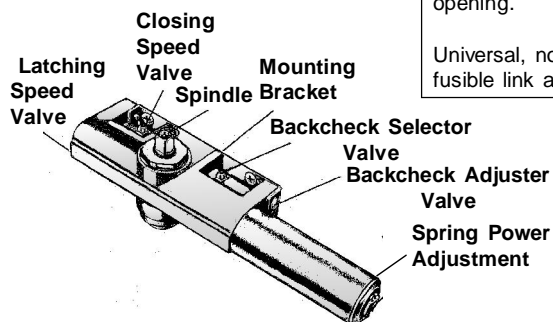


This closer series has built-in features allowing spring power adjustment in the field to accommodate many size doors. This invaluable series in the Russwin line permits stocking of ONE model closer for application to a variety of door sizes.

U.L. Listed for all classes labeled doors.

Allows full 180 degree door opening.

Universal, non handed except fusible link and Delayed action.



Type of Installation	Door Size Chart			Spring Power Equivalent Approximate Size
	Size of Door			
	Interior	Exterior Inswinging	Exterior Outswing	
Regular Arm	2'4"	----	----	1
	3'0"	----	----	2
	3'6"	2'6"	2'6"	3
	4'0"	3'0"	3'0"	4
	4'6"	3'6"	3'6"	5
Top Jamb Mounted	5'0"	4'0"	4'0"	6
	2'4"	----	----	1
	3'0"	----	----	2
	3'6"	2'6"	2'6"	3
	4'0"	3'0"	3'0"	4
Parallel Arm	4'6"	3'6"	3'6"	5
	2'2"	----	----	1
	Minimum	----	----	2
	2'6"	----	----	3
	3'0"	----	----	4
	3'6"	----	----	5

Contact our Research Department for further information regarding "Armgard", Parallel Arm, Delayed Action Closer and other options.

**Applications:** Regular, Top Jamb, Parallel Arm, Track and Corner Bracket

**Spring Adjustment:** Installation form gives instruction for setting closer to accommodate various door sizes.

# LCN 4041 Super Smoothee

For Interior or Exterior Use

Order Part No. DC0129-037 or DC0129-038

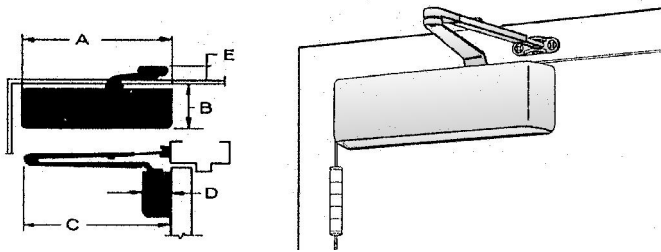
## Features

- Non-sized closer adjusts to any size 1 through 6
- DC129 mounts four different ways
- Non handed
- Height strength cast iron cylinder
- Adjustable hydraulic back check in advance of 90 degrees
- Liquid "X" temperature stable fluid
- 10-year warranty
- Tamper-proof, non-critical regulating screws

## Hinge Face (Pull Side)

### Mounting

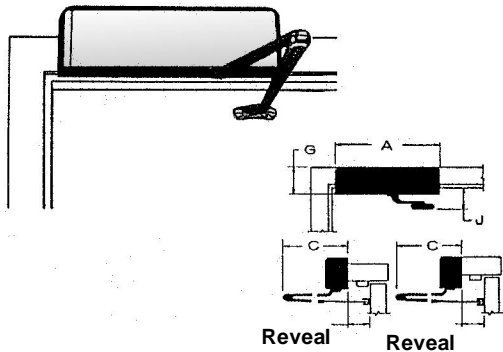
- One template position permits 120 degree opening



- UL Listing
- ANSI Certification
- ANSI A156.4 Grade 1
- Non-handed Cush-n-stop arm available
- Non-handed spring crush arm available

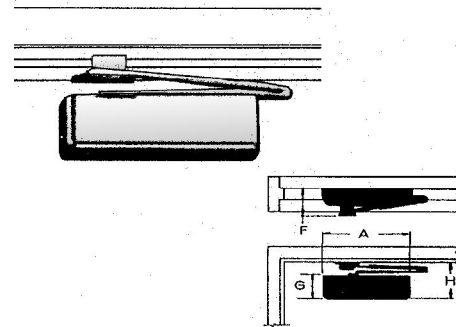
## Over Door (Push Side) Mounting

- One template position permits 120 degree opening
- Adapter plate (4040-18TJ or 4040-18G) required for narrow transom bars
- Reveal to 2-9/16" (65 MM) standard
- For deeper reveals to 4-13/16 (120 MM) specify 4040-79 L.R



## Stop Face (Push Side) Parallel Arm Mounting

- One template position permits 120 degree opening
- Maximum hinge width 5" (125 MM)



For other available accessories such as corner bracket mountings, adapter plates, drop plates, extra duty arms, cush-n-stop arms and spring crush, contact our research department.

A	B	C	D	E	F	G	H	J
12-1/4"	3-3/4"	11"	2-5/32"	1-1/4"	4"	3-1/2"	5-1/8"	2-7/8"

### Drop Plate



### DC0129-2-040

For use with hinge face mountings when top rail of door is 3-3/4" or less.

### Adapter Plate



Locates closer in a centered position on narrow transom bars. For use on outswing doors.