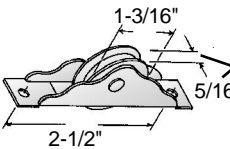
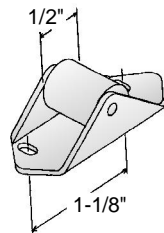
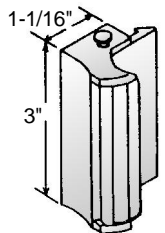
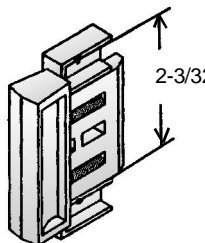
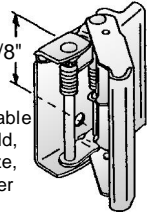
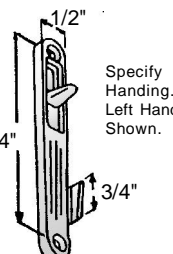
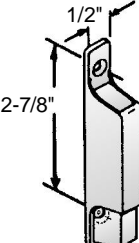
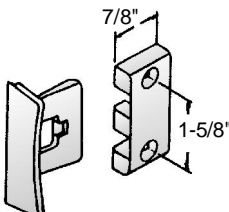
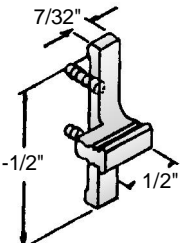
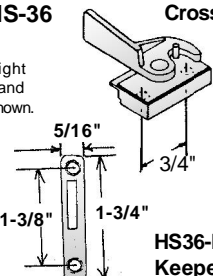
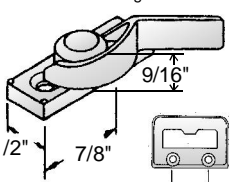
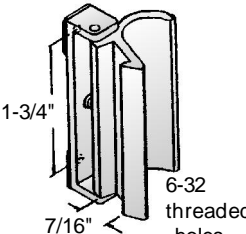
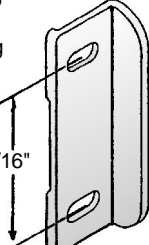

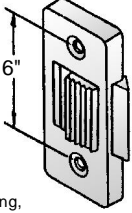
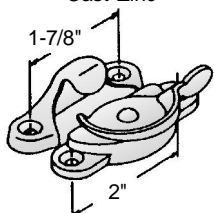
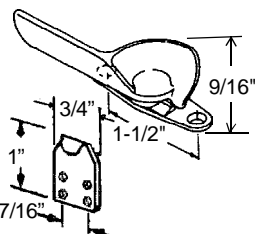
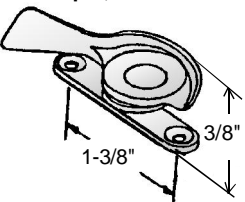
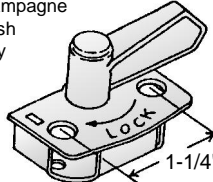
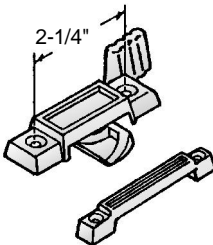
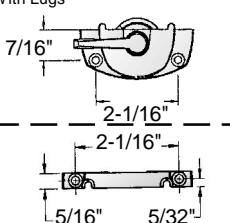
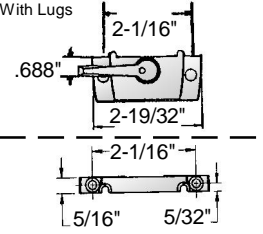
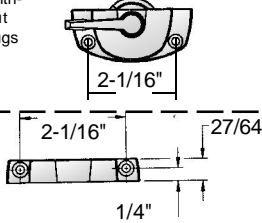
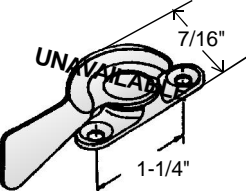
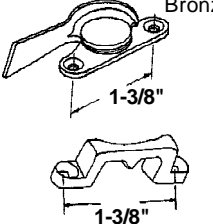
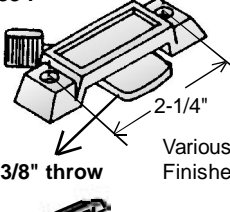
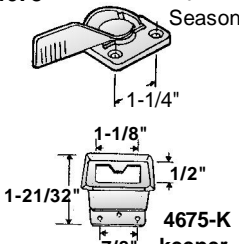
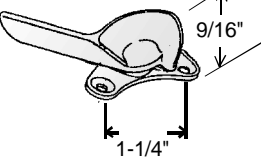
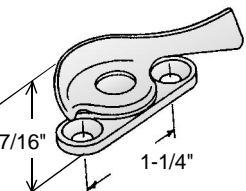
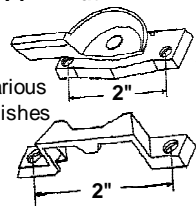
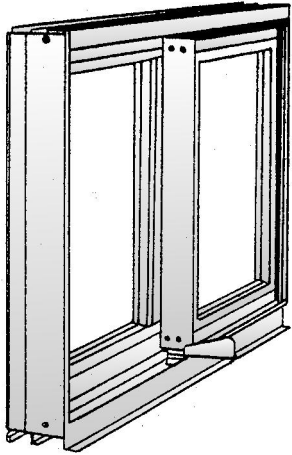


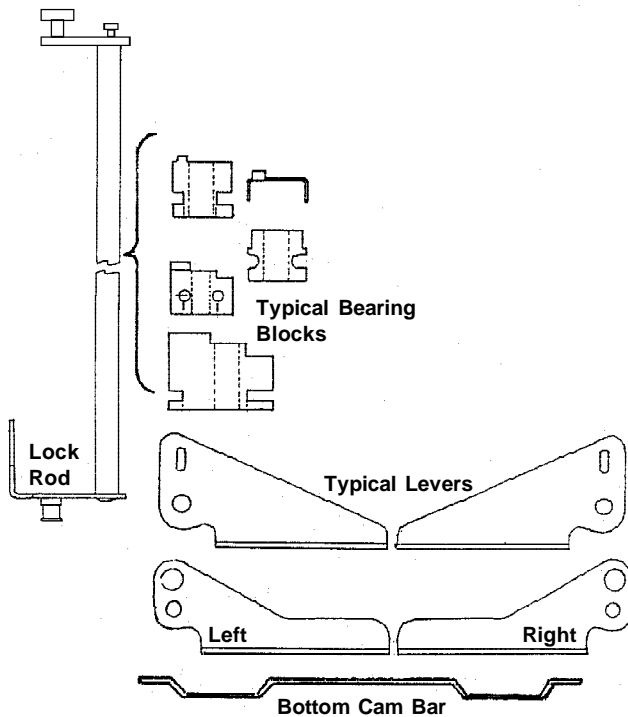
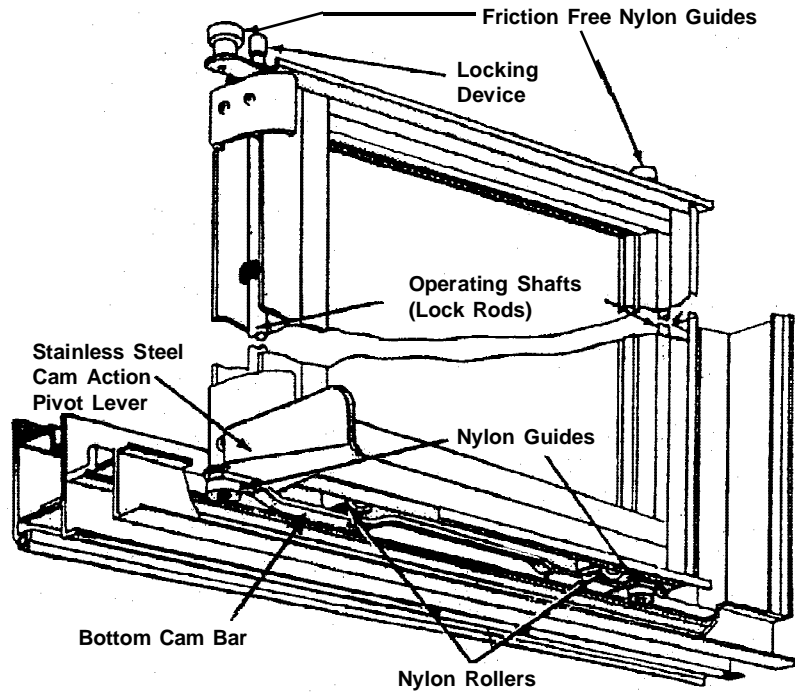
<p>RA-52</p>  <p>Nylon or Steel Roller</p>	<p>RA-169 Four Seasons</p> 	<p>HS-1 Premiere</p> 	<p>HS-3</p> 	<p>17.13 Truth</p>  <p>Available In Gold, Bronze, Copper & White</p>
<p>HS-15</p>  <p>Specify Handing. Left Hand Shown.</p>	<p>HS-16 Air Control / Keller</p> 	<p>HS-23</p> 	<p>HS-29</p> 	<p>HS-36 Crossly</p>  <p>Right Hand Shown.</p> <p>HS36-K Keeper</p>
<p>HS-38 Specify Handing. Right Hand</p>  <p>HS38-K 5/8"</p>	<p>HS-50 Keller</p> 	<p>HS-55 Spring Incl.</p> 	<p>HS-67 Specify Handing. Right Hand Shown.</p>  <p>For 7/8" long, order HS-67-Spec (LH Only). For 1-11/32" long w/ hook end, order HS-67-Long (R.H. only)</p>	<p>HS-74 C & P</p>  <p>For 1-1/2" hole spacing, order HS-74-Small.</p>
<p>501 Brass Finished Cast Zinc</p> 	<p>1550-Set</p> 	<p>1565 For keeper, order 1565-K</p>  <p>Nickel Bronze</p>	<p>4216 Pella Available in Champagne Finish Only</p>  <p>Comes with keeper</p>	<p>4550</p> 
<p>17.19 Truth With Lugs</p>  <p>Order 40320 Keeper separately.</p>	<p>17.35 Truth With Lugs</p>  <p>Order 40380 Keeper separately.</p>	<p>17.23 Truth Without Lugs</p>  <p>Order 40367 Keeper separately.</p>	<p>4561</p>  <p>Order 4703-R, below, with 1566 Keeper</p>	<p>4583 Nickel Bronze</p>  <p>Order 4583-Keeper separately</p>
<p>4594</p>  <p>Various Finishes</p> <p>4594-K Keeper also available separately</p>	<p>4675 NuPrime / Seasonall</p>  <p>4675-K keeper</p>	<p>4690 R.H. Die Cast Limited Surplus of L.H. Antique Brass Avail.</p> 	<p>4703 Nickel Bronze</p>  <p>Order 4703-k keeper separately</p>	<p>17.14 Truth</p>  <p>Various finishes</p> <p>Keeper sold separately. Order 40073</p>

<p>HS-521 Acorn</p> <p>1-41/64" 11/16" 5/8" dia. metal flat wheel</p>	<p>HS-524 Capitol 180</p> <p>1-3/4" 13/16" 9/16" dia. flat metal wheel 19/32"</p>	<p>HS-537 Tomrays Tyco 66</p> <p>1-1/4" 3/8" dia. flat metal wheel</p>	<p>HS-545</p> <p>5/8" 2-3/4" 27/64" dia. flat nylon wheel</p>	<p>HS-546 Flat Nylon Wheel</p> <p>3/4" 9/16" 1/4" 3/16"</p>
<p>HS-553 Grooved Nylon Wheel</p> <p>1/4" 7/16" 3/16"</p>	<p>HS-557</p> <p>3/4" 21/64" 1/2" dia. convex nylon wheel</p>	<p>HS-560 Diack & others Nylon Grooved Wheel</p> <p>1/4" 9/16" 3/16"</p>	<p>HS-561 Diack & others Metal Grooved Wheel</p> <p>1/4" 3/16" 9/16"</p>	<p>HS-571 Nylon</p> <p>1/8" 1/8" 9/16" 3/8"</p>
<p>HS-573 5/8" dia. flat metal wheel</p> <p>1/2" 1-3/4" 5/8" dia. roller</p>	<p>HS-577 5/16" dia. flat dual metal wheels</p> <p>1-3/8" 7/16" 5/16" dia. roller</p>	<p>HS-582</p> <p>9/16" 7/16" dia. metal roller</p>	<p>HS-585 27/32" grooved nylon or steel wheel avail.</p> <p>15/32" 1-21/64" 7/32"</p>	<p>HS-588</p> <p>31/64" 1-5/32" 43/64" 1/2" dia. flat nylon wheel</p>
<p>HS-601</p> <p>1-7/16" 27/32" 9/16" dia. flat metal wheel</p>	<p>HS-603 Nylon grooved wheel Extruded aluminum</p> <p>7/16" 1-3/64" 23/32" 13/16"</p>	<p>HS-605 Crossly 3/4" flat nylon ball bearing wheel</p> <p>3/4" 5/8"</p>	<p>HS-607 1/2" dia. flat metal wheel</p> <p>1-27/32" 1-7/64"</p>	<p>HS-775 3/8" dia. nylon roller</p> <p>1-3/4" 3/4"</p>
<p>HS-618 New Style 5/16" o.d.</p> <p>3/4" 7/16" 7/8" 5/16" o.d.</p>	<p>HS-622 1/2" dia. flat nylon wheel</p> <p>1-11/16" 5/8" 13/16" 1/2" dia. flat nylon wheel</p>	<p>HS-635 Flat metal ball bearing wheel</p> <p>7/16" 3/4" 1-1/4" 5/8" 1/4"</p>	<p>HS-666 9/32" 3/4"</p> <p>9/16" 3/4" 9/32"</p>	<p>HS-672 Howard Ind. 5/8" dia. grooved metal wheel</p> <p>37/64" 1-1/64"</p>
<p>HS-677 Original nylon housing shown. Replacement has solid zinc metal housing w/ brass 1/2" dia. wheel.</p> <p>1-7/32" 15/32" 7/16"</p>	<p>HS-678 Flat Wheel</p> <p>17/64" 1/2" 29/64"</p>	<p>HS-682 11/16" 15/32" 2"</p> <p>11/16" 15/32" 2"</p>	<p>HS2013-RA 2" 1" 5/8" 11/16" 7/16" o.d. PVC track for HS2013-RA 8' lengths 440" .900"</p> <p>2" 1" 5/8" 11/16" 7/16" o.d. PVC track for HS2013-RA 8' lengths 440" .900"</p>	<p>RA-153 1-13/64" 11/16" 1/4" RA-153-Small 1/2" 37/64" 1/2" dia. metal wheel 3/4"</p> <p>1-13/64" 11/16" 1/4" RA-153-Small 1/2" 37/64" 1/2" dia. metal wheel 3/4"</p>

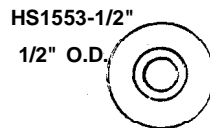
FOUR SEASONS



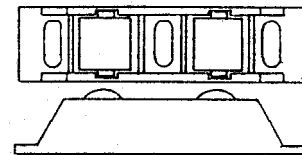
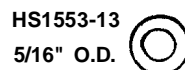
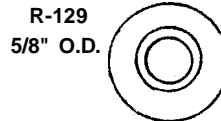
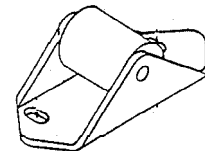
Blaine now reproduces original "Four Seasons" lock rod operating shafts and bottom cam bars to your size. Send in complete samples, with all typical pieces as shown below, for accurate reproduction match.



Available Individual Replacement Parts



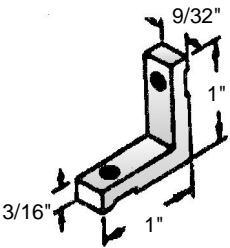
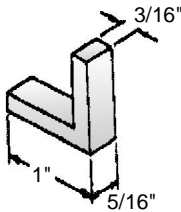
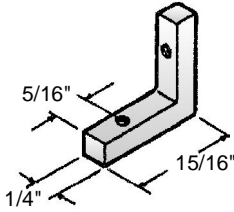
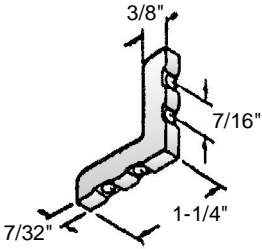
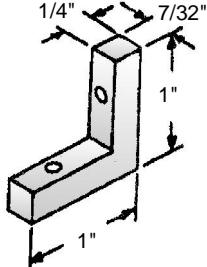
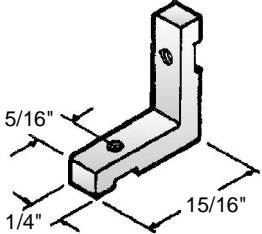
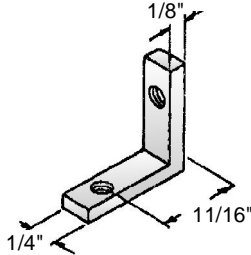
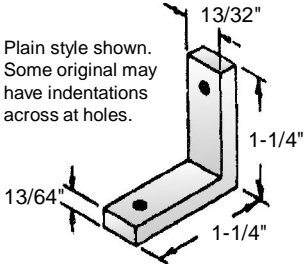
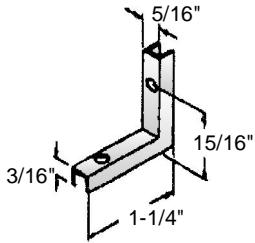
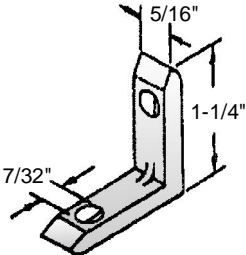
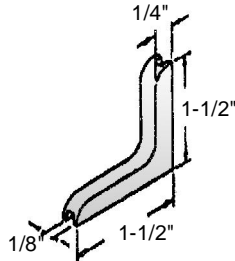
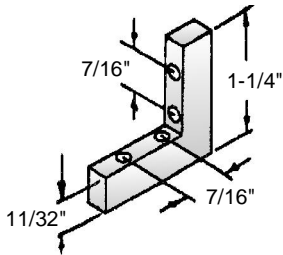
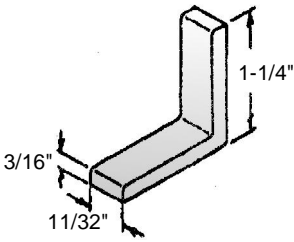
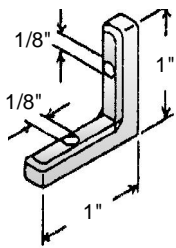
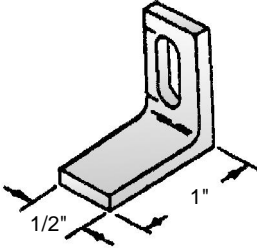
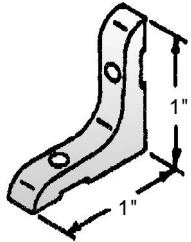
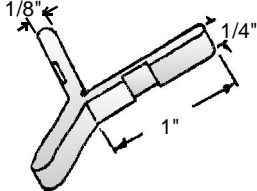
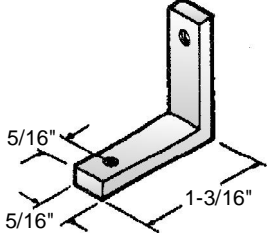
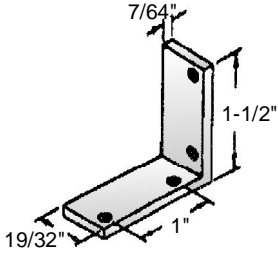
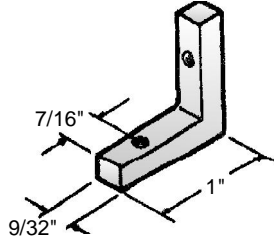
RA-169



HS-935-TANDEM

<p>HS-37 Phillips</p>	<p>HS-498</p> <p>Nylon Rollers</p>	<p>HS-502 Acorn</p> <p>Flat Nylon Roller</p>	<p>HS-505 Olson and Others</p> <p>Flat Steel Roller</p>	<p>HS-506 Glasco</p> <p>Grooved Steel Roller</p>
<p>HS-517 Guaranteed</p> <p>Nylon Roller</p>	<p>HS-527 International Imperial</p> <p>Flat Nylon Roller</p>	<p>HS-528 Air Control Keller</p> <p>Nylon Roller</p>	<p>HS-529 HiLite</p> <p>Old Style</p>	<p>HS-530 HiLite</p> <p>Nylon Roller</p>
<p>HS-543 Daryl U/A</p> <p>order HS-524</p>	<p>HS-544 Nylon Roller</p>	<p>HS-590 Alenco</p> <p>Steel Roller</p>	<p>HS-609 Fullview</p>	<p>HS-614 Likit Guide</p>
<p>HS-621</p> <p>Flat nylon roller</p>	<p>HS-629 Pacific (Old Style) Windows</p> <p>Guide Nylon</p>	<p>HS-630 Academy A-1 Aluminum International King-Queen</p> <p>Flat nylon roller</p>	<p>HS-634 Radco Glass Emporium</p> <p>Nylon Roller</p>	<p>HS-651 Krest</p>
<p>HS-690 Flat nylon ball bearing roller</p>	<p>HS-747 Window Master</p> <p>Nylon housing replaces original die cast</p>	<p>HS-752 Elco / Century</p> <p>Flat steel roller</p>	<p>R-81 Premier</p> <p>Stainless Steel</p>	<p>HS-791 Ralley</p> <p>Nylon</p>
<p>HS-919 Flat steel ball bearing roller</p>	<p>HS-931 House of Aluminum</p> <p>Flat nylon rollers</p>	<p>HS-1042 International</p>	<p>HS-1552 International</p>	<p>HS-1564 U/A</p> <p>Better-Bilt Order HS-1047</p> <p>Nylon Roller</p>

Horizontal Sliding Window Corners

<p>HS-1000</p>  <p>8-32 Threads</p>	<p>HS-1001</p> 	<p>HS-1003 6-32 Threads</p> 	<p>HS-1004 Fleetlite</p> 
<p>HS-1005</p> 	<p>HS-1006 6-32 Threads</p> 	<p>HS-1007</p>  <p>4-40 Threads</p>	<p>HS-1008</p>  <p>Plain style shown. Some original may have indentations across at holes.</p> <p>6-32 Threads</p>
<p>HS-1010</p> 	<p>HS-1012 Mayfair</p> 	<p>HS-1014</p> 	<p>HS-1015</p> 
<p>HS-1016</p> 	<p>HS-1018</p>  <p>6-32 Threads</p>	<p>HS-1019</p> 	<p>HS-1020</p>  <p>6-32 Threads</p>
<p>HS-1022 Nylon</p>  <p>Replaces original cast zinc</p>	<p>HS-1025 5-40 Threads</p> 	<p>HS-1027</p> 	<p>HS-1028 8-32 Threads</p>  <p>8-32 Threads</p>