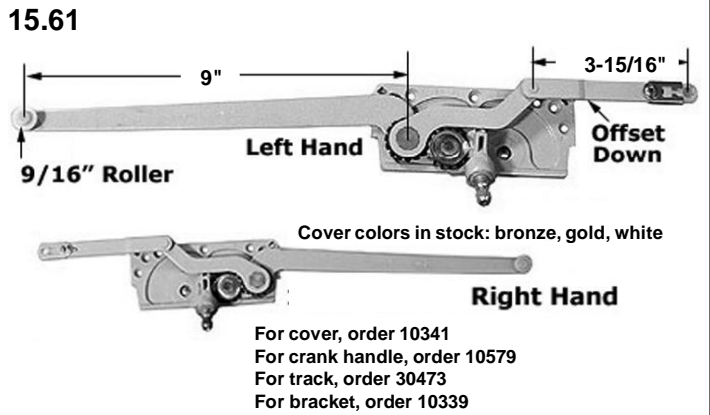
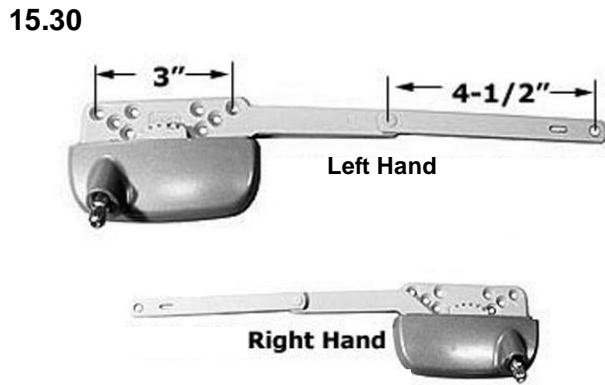
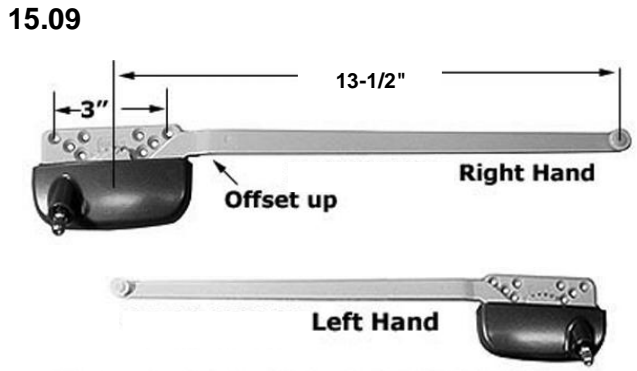
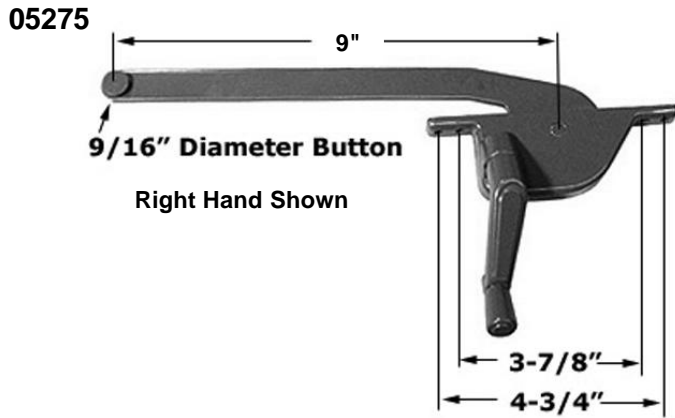
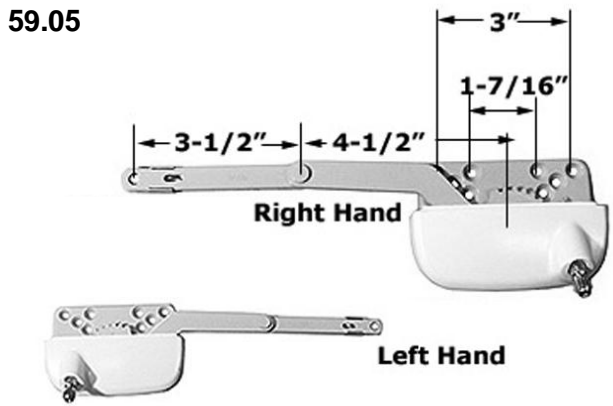
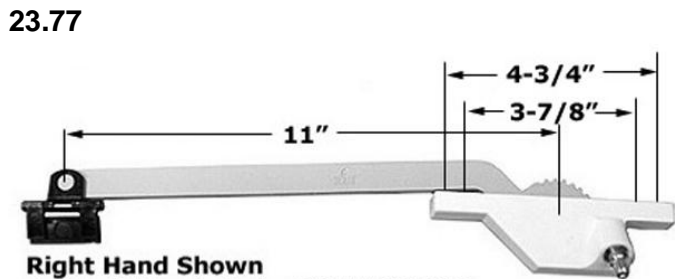
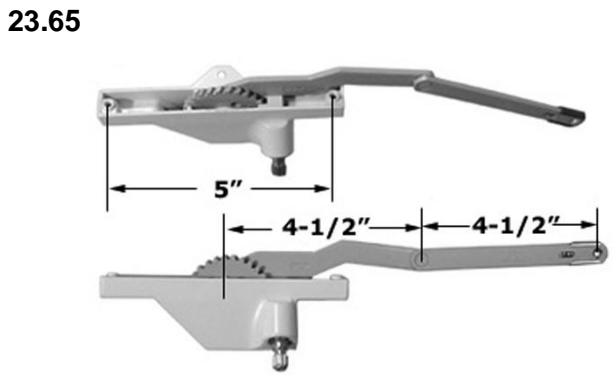
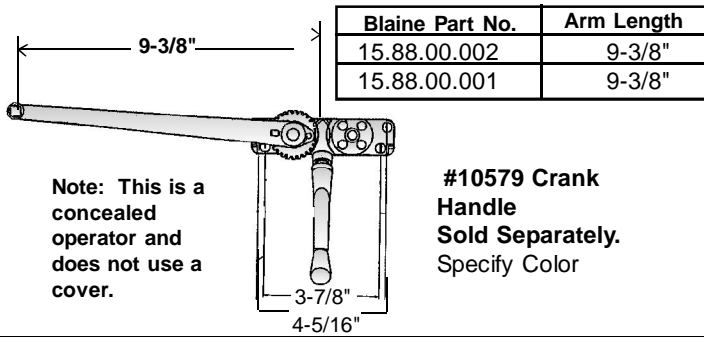


Note: New rounded style housing for all operators shown below

Truth Casement Operators



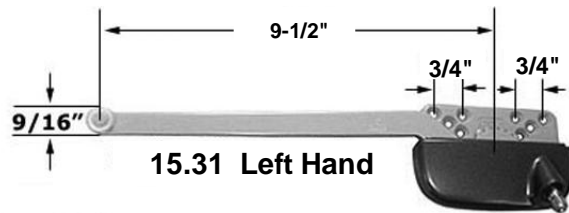
15.88.00.002 Right Hand
15.88.00.001 Left Hand As Shown



Note: New rounded style housing for all operators shown below

Truth Casement Operators

- 15.31.XX.061 As shown 9-1/2"
- 15.31.XX.062 Opposite 9-1/2"
- 15.32.XX.061 As shown 13-1/2"
- 15.32.XX.062 Opposite 13-1/2"
- 15.39.XX.061 As shown 6"
- 15.39.XX.062 Opposite 6"
- 15.56.XX.061 As shown 7-1/2"
- 15.56.XX.062 Opposite 7-1/2"



15.31 Left Hand

Order track no. 30473 track for 15.31 and order 30150 track for 15.32, sold separately.

Handle sold separately. Order no. 10579



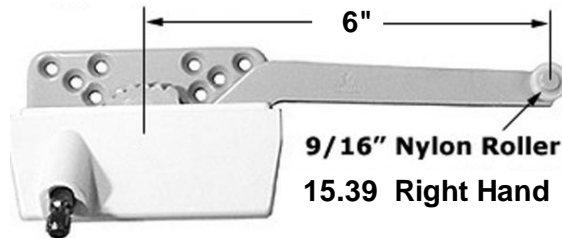
15.32 Right Hand

Mounting screws included

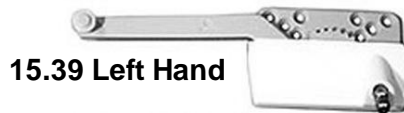
denotes color. Please contact Customer Service for available colors.

Arm Lengths: 6", 7-1/2", 9-1/2", 13-1/2"

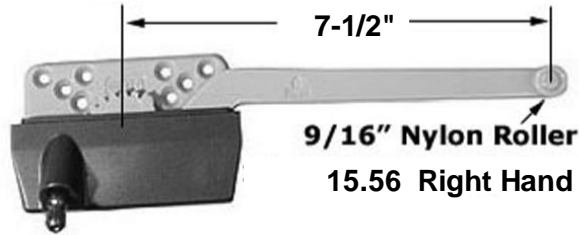
Blaine Part No	Hand	Arm Length	Color
15.39.29.062	R	6"	Gold
15.39.29.061	L	6"	Gold
15.39.32.062	R	6"	White
15.39.32.061	L	6"	White
15.39.23.062	R	6"	Chestnut Brz
15.39.23.061	L	6"	Chestnut Brz
15.56.24.062	R	7-1/2"	Beige
15.56.24.061	L	7-1/2"	Beige
15.56.22.062	R	7-1/2"	Clay
15.56.22.061	L	7-1/2"	Clay
15.56.32.062	R	7-1/2"	White
15.56.32.061	L	7-1/2"	White
15.56.03.062	R	7-1/2"	Bronze
15.56.03.061	L	7-1/2"	Bronze
15.31.29.062	R	9-1/2"	Gold
15.31.29.061	L	9-1/2"	Gold
15.31.24.062	R	9-1/2"	Beige
15.31.24.061	L	9-1/2"	Beige
15.31.22.062	R	9-1/2"	Clay
15.31.22.061	L	9-1/2"	Clay
15.31.32.062	R	9-1/2"	White
15.31.32.061	L	9-1/2"	White
15.31.03.062	R	9-1/2"	Bronze
15.31.03.061	L	9-1/2"	Bronze
15.32.29.062	R	13-1/2"	Gold
15.32.29.061	L	13-1/2"	Gold
15.32.22.062	R	13-1/2"	Clay
15.32.22.061	L	13-1/2"	Clay
15.32.32.062	R	13-1/2"	White
15.32.32.061	L	13-1/2"	White
15.32.03.062	R	13-1/2"	Bronze
15.32.03.061	L	13-1/2"	Bronze



15.39 Right Hand



15.39 Left Hand

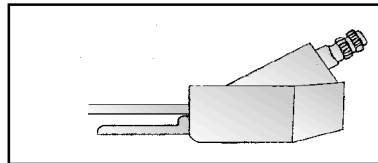


15.56 Right Hand

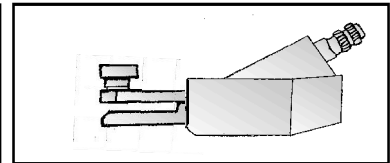


15.56 Left Hand

and sample for identification



Flat Arm, Side View Open Position



Flat Arm, Side View Closed Position

Note: Bronzes are painted with a metallic finish. Specify arm length

TRUTH / WRIGHT

"Truth" and "Wright" window mechanisms are used by many window companies. The word "Truth" or "Wright" will appear on the arm outside the window that connects the operator to the bottom of the window. You must open the window to see it. Some brands that use this hardware include: Acorn, Avon, Biltbest, Caradco, Certainty, Craftline, Crestline, Eagle, Harvey, Hurd, Johnson-Postman, King, Kolbe & Kolbe, Lincoln, Louisiana-Pacific, MW, Malta, Marvin, National, Norco, Nordic, Pozzi, Row, Semco, Vetter, Weathershield and Windsor.

15.10.00.001 Left
15.10.00.002 Right

15.14.00.001 Left
15.14.00.002 Right

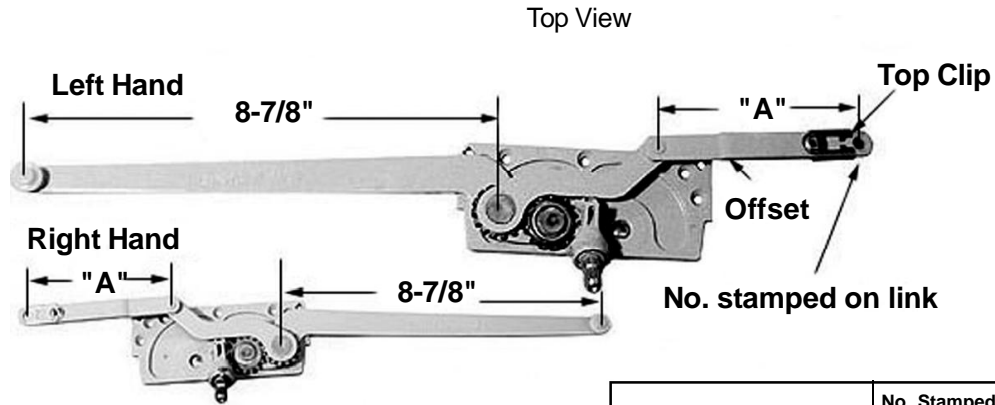
15.15.00.001 Left
15.15.00.002 Right

15.16.00.001 Left
15.16.00.002 Right

ENTRYGARD DUAL ARM OPERATOR

Please send a sample for accurate identification

**TRUTH &
ANDERBERG**



"A" Measurement	No. Stamped On Link
2-3/8" - 15.15.00.001 15.15.00.002	20748
3-5/16" - 15.16.00.001 15.16.00.002	20755
3-15/16" - 15.10.00.001 15.10.00.002	20810 or 20544
3-15/16" - 15.14.00.001* 15.14.00.002*	-----

Component Part numbers to help identification:

Housing = 40372 or 40471 or 40254

Main Arm (10") = 40753 or 30470 or 30472 or 40754

Arm (Dog Leg) = L30841 or 31538A or 30637 or 30842

Link (4") = 20810 or 20544

Some newer models do not have part numbers stamped on components

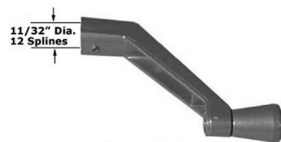
* = Stainless Steel

Other dimensions available.
Please Inquire

Sold Separately:

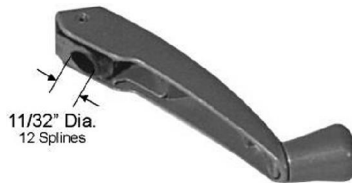
Handle: Specify Color (Bronze, Gold, White)

Standard 10579



Note: The Color Code is the 6th & 7th Digit of the Part Number

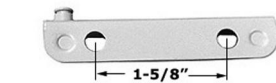
Folding Handle 11329



T-Handle 11573

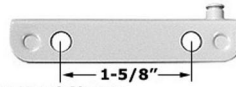
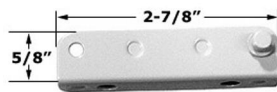


Bracket 10339 LH



Left Hand Shown
For Right Hand, Order 10340
Used With 15.10 and Others

Bracket 10340 RH

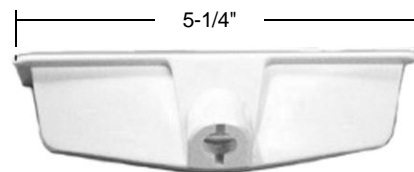


Right Hand Shown
For Left Hand, Order 10339
Used With 15.10 and Others

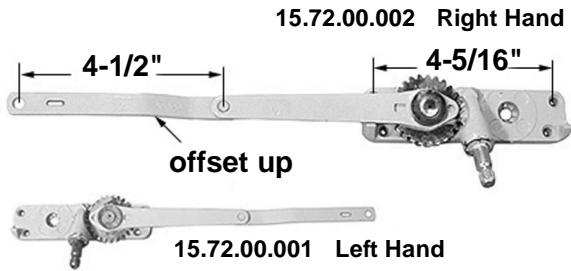
Track 30473



Cover 10341

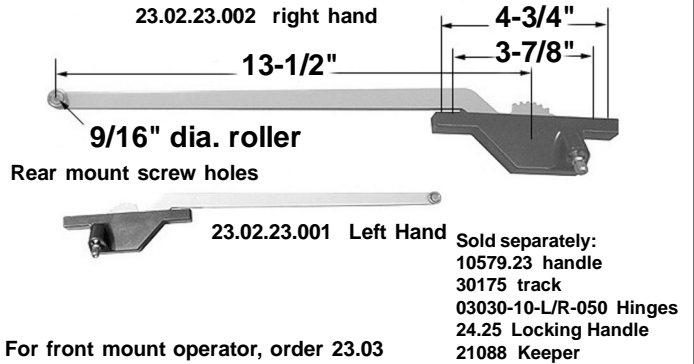


15.72



For handle, order 10579

23.02

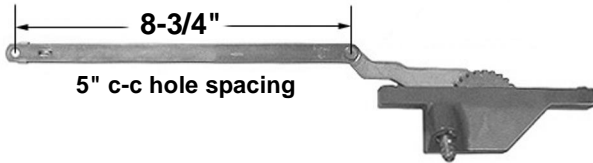


For front mount operator, order 23.03

Sold separately:
10579.23 handle
30175 track
03030-10-L/R-050 Hinges
24.25 Locking Handle
21088 Keeper

23.49

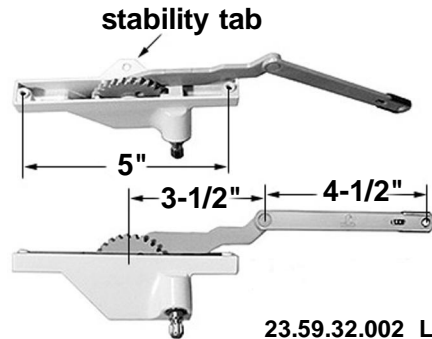
23.49.03.001 Right Hand
23.49.03.002 Left Hand



Sold separately:
10579.03 Handle
03030-10-L/R-050 Hinge
10558.92 Bracket
24.25 Locking Handle
21088 Keeper

available in white and bronze

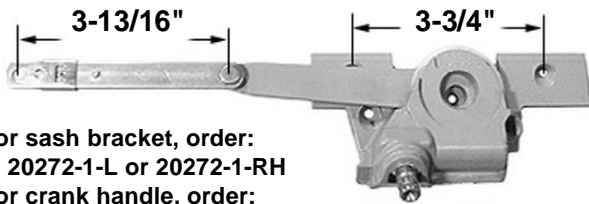
23.59



23.59.32.002 Left Hand
23.59.32.001 Right Hand

10141

Andersen Non-handed

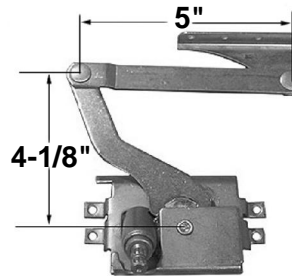


For sash bracket, order:
20272-1-L or 20272-1-RH
For crank handle, order:
20684-1-078 or 20684-1-067
For cover, order:
20684-2-078 Stone or 20684-2-067 White

10451-R

Pella

Right hand shown.
Specify Right or left
hand.

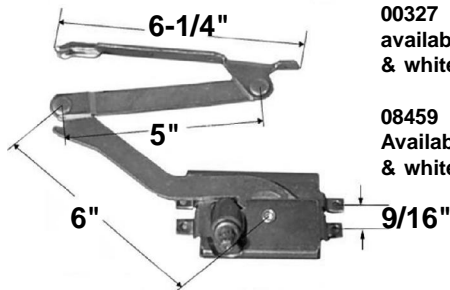


For left hand, order 10451-Left
For crank handle, order:
00327-057 Gold
00327-099 Champagne

08458-R

Pella

Right hand show. Specify right
or left hand when ordering.



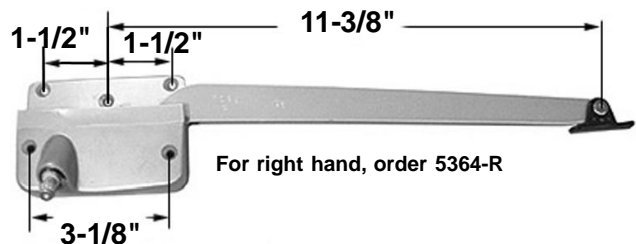
Sold separately:
00327 Crank handle
available in gold, champagne
& white

08459 Cover
Available in gold, champagne
& white

05364-L

Andersen

Left hand shown



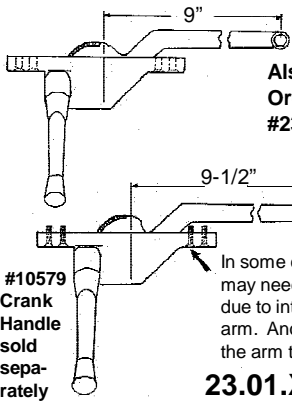
For right hand, order 5364-R

For sash bracket, order 20272-1-LH or 20272-1-RH
For crank handle, oreer 20684-1-078 or 20684-1-067
For cover, order 20684-2-078 stone or 20684-2-067 white

Note: New rounded style housing for all operators shown below

Truth Casement Operators

23.01.XX.001 As Shown Left Hand



Discontinued "Original Style" Arm

Also available with rear mount housing.
Order #23.00.XX.001 Left Hand or
#23.00.XX.002 Right Hand

Due to engineering design changes,
"New Style Arm" replaces original.

Order 30175 track separately

In some cases the No. 3 position mounting screw may need to be eliminated or ground down in length due to interference in the full closing position of the arm. Another alternative would be to grind a notch in the arm to clear the screw end.

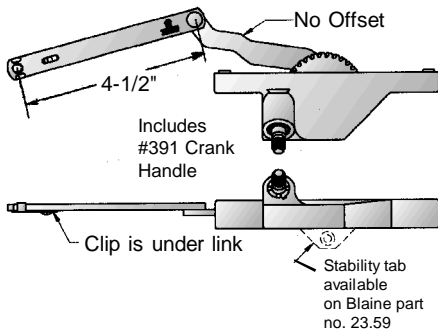
23.01.XX.002 Opposite

Blaine Part No.	L/R	Arm Length	Color
23.01.01.001	L	9-1/2"	Aluminum
23.01.01.002	R	9-1/2"	Aluminum
23.01.19.001	L	9-1/2"	Nickel
23.01.19.002	R	9-1/2"	Nickel
23.01.32.001	L	9-1/2"	White
23.01.32.002	R	9-1/2"	White
23.01.23.001	L	9-1/2"	Chestnut Brz.
23.01.23.002	R	9-1/2"	Chestnut Brz.
23.01.03.001	L	9-1/2"	Bronze
23.01.03.002	R	9-1/2"	Bronze
23.00.01.001	L	9-1/2"	Aluminum
23.00.01.002	R	9-1/2"	Aluminum
23.00.23.001	L	9-1/2"	Chestnut Brz.
23.00.23.002	R	9-1/2"	Chestnut Brz.

Note:
Bronze
Colors are
painted
metallic
finishes.

Rear Mount

23.46.XX.002 Opposite
23.46.XX.001 As Shown

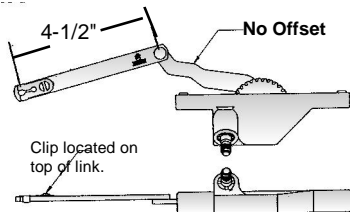


10579.XX crank handle sold separately

Truth Part No.	Handing	Color
23.46.22.002	R	Clay
23.46.22.001	L	Clay
23.46.32.002	R	White
23.46.32.001	L	White
23.46.03.002	R	Bronze
23.46.03.001	L	Bronze

Note:
Bronze is a painted metallic finish.

23.33.XX.001 as shown
23.33.XX.002 opposite



#10579 Crank Handle sold separately.

Truth Part No.	Handing	Color
23.33.32.501	L	White
23.33.32.502	R	White
23.33.03.501	L	Bronze
23.33.03.502	R	Bronze

15.18.XX.052 as shown
15.18.XX.051 opposite

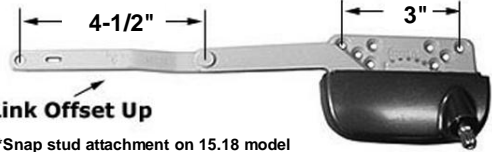
Colors available include Bronze and white painted finish.
XX = specify color choice

15.66.XX.052 as shown
15.66.XX.051 opposite

10579.XX crank handle sold separately.

15.67.XX.052 as shown
15.67.XX.051 opposite

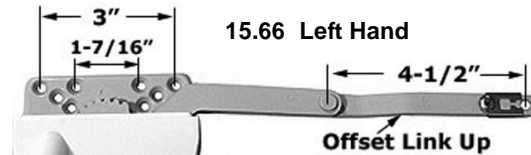
15.18 Right Hand



Link Offset Up

**Snap stud attachment on 15.18 model

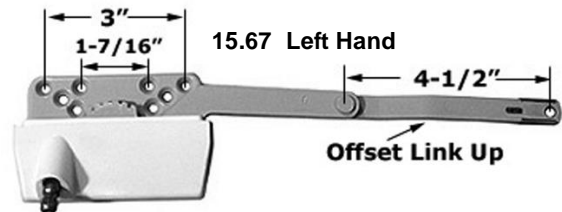
15.18 Left Hand Shown



15.66 Left Hand

Offset Link Up

15.66 Right Hand



15.67 Left Hand

Offset Link Up

Operator Number	Clip Orientation	Bracket
15.18.XX.062	As Shown	**None
15.18.XX.061	Opposite	**None
15.66.XX.052	As Shown	Top
15.66.XX.051	Opposite	Top
15.67.XX.052	As Shown	Bottom
15.67.XX.051	Opposite	Bottom

<p>58 Specify Handing. Right Hand Shown Andersen 58-Rev</p> <p>58-2 Crank Handle sold separately. Track sold separately. Order 58-Channel. *Arm measured from gear center to shoe rivet center.</p>	<p>Andersen 2073 Right Hand Shown</p> <p>Black nylon shoe with slot for channel. Shoe is mounted under operator arm.</p> <p>Specify Handing. Right Hand Shown *Arm measured from gear center to shoe rivet center 58-2 crank handle sold separately.</p>	<p>Andersen 2073 Right Hand Shown</p> <p>Bronze painted finish</p> <p>Offset-down **Includes 975-1 Crank Handle.</p>
--	--	--

<p>1285* Andersen</p> <p>*Please Specify Long or Short Arms When Ordering: Long - 34" Short - 24-7/8"</p> <p>1285 Comes with rods and 975-1 Crank Handle</p>	<p>10002 Andersen</p> <p>Bracket sold separately</p> <p>Left Hand Shown 58-2 crank handle sold separately. TOP VIEW OF HOUSING 3-7/8"</p>	<p>2026 Andersen</p> <p>Left hand available, Limited quantities. Right hand obsolete. Order 2073 shown above and 2074 track.</p> <p>* Arm measures from gear center to button rivet center * 975-1 crank handle sold separately.</p> <p>9" actual measurement - 8-7/8" 11" actual measurement - 11-3/16"</p>
--	---	--

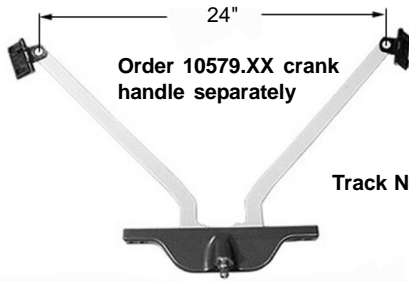
<p>4990 Andersen</p> <p>Available in 33", 36", 39" Arms Order #125-16 1/4 replacement track separately. Comes with #00301 crank handle</p>	<p>4993* Andersen</p> <p>UNAVAILABLE</p> <p>Order 10147-061 with instructions. 58-2 handle sold separately. *Long = 5" Short = 3-5/32" Please specify.</p>	<p>42 Pella</p> <p>Right Hand Shown.</p> <p>Sill Sizes: 20", 21", 30" Limited Supply</p>
--	---	--

<p>08458 Pella</p> <p>Crank Handle And Cover Sold Separately. Order No. 327 Crank Handle And No. 8459 Cover.</p> <p>*Older style may measure 3/4" Specify Handing. Right Hand Shown. Zinc Plated Steel</p>	<p>9492 Pella</p> <p>UNAVAILABLE</p> <p>Track sold separately. Available in 17", 21" & 25". Specify left or right hand.</p> <p>Order No. 327 Crank Handle Separately Left Hand Shown.</p>	<p>We have window operators for all window configurations. Please contact our Customer Service Department at 800-678-1919 for assistance with your window hardware needs.</p>
--	--	--



22.10 Front Mount
22.19 Rear Mount

Aluminum & Vinyl Window
Awning Operator



Track No. 30169 - 2 per operator

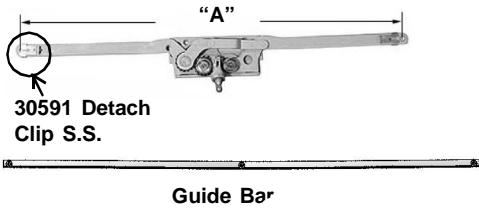
Blaine Part No.	Arm Length	Color
22.10.01.102	24"	Aluminum
22.10.22.102	24"	Clay
22.10.32.103	24"	White
22.10.23.104	24"	Chestnut Brz.
22.10.03.102	24"	Bronze
* 22.19.32.001*	24"	White

***Note:**
RM models have rear threaded holes for rear mounting.

11.43.00.001 20-1-8" (A)
11.44.00.001 28-3/4" (A)

Truth Dual Arm Operator

Blaine Part No.	Arm Length	Color
11.43.00.001	20-1/2"	*
11.44.00.001	28-3/4"	*



*
Number **10341** Cover sold separately.

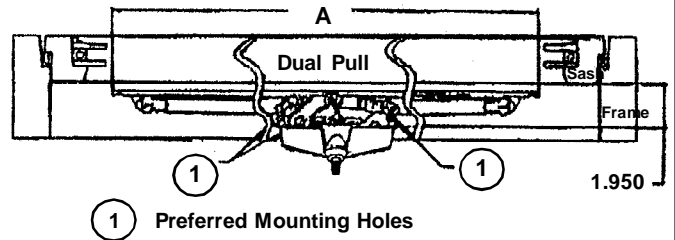
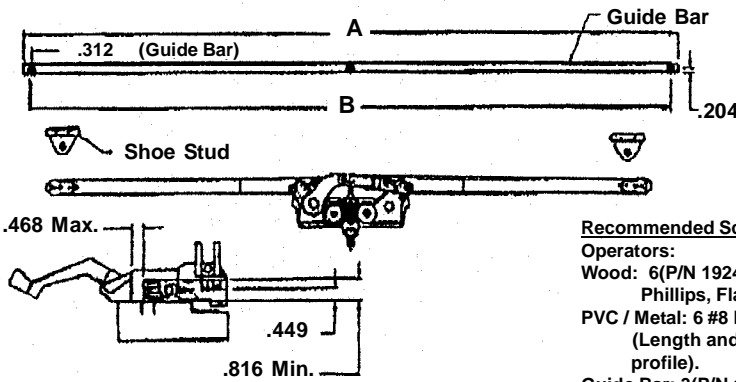
Number **10579** crank handle sold separately.
Order handle color to match the cover.

Shoes sold separately.
Order number **10005**

31641	Guide Bar
10005	Shoe Studs
10341.XX	Cover
10579.XX	Handle
31642	Guide Bar
30591	Detach Clips S.S.

Guide bar sold separately. Order number **31641.92 (22-3/4")** or **31642.92 (30-3/4")**

Blaine Part No.	B	A
11.43.00.001	22.125	22.750
11.44.00.001	30.125	30.750



Recommended Screws:

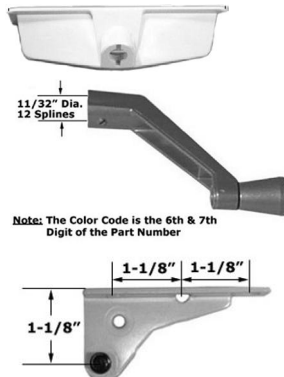
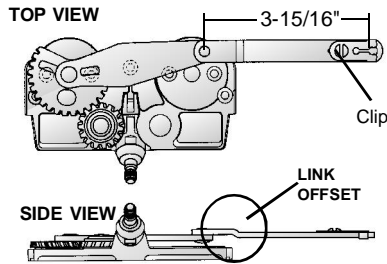
Operators:
Wood: 6(P/N 19240.92) Steel SST #8 x 1.0
Phillips, Flat Head, Sheet Metal Screws
PVC / Metal: 6 #8 Phillips, Flat Head Screws
(Length and thread type determined by profile).
Guide Bar: 3(P/N 19240.92) #8 x 1.0 Phillips,
Flat Head, sheet metal screws.

31641	Guide Bar
10005	Shoe Studs
10341.XX	Cover
10579.XX	Handle
31642	Guide Bar

Hardware Shown
Sold Separately

15.11.00.001 As Shown
15.11.00.002 Opposite

Truth Dyad Arm Operator



*No. **10341** cover sold separately

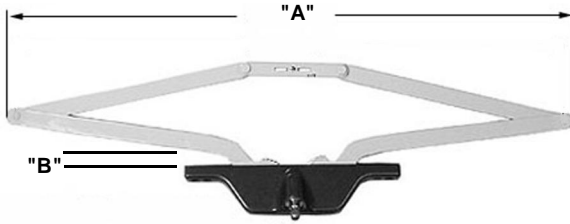
No. **10579** Crank Handle sold separately. Order color matching no. 10341 cover.

Note: The Color Code is the 6th & 7th Digit of the Part Number

Bracket for end of link sold separately. Order **12511.92** bracket for 15.11.00.002 operator. For 15.11.00.001 operator, order **12510.92** bracket, as shown

22.21

Truth Scissors Arm Operator For Awning Windows



Rear Mount (2 Holes)
or
Front Mount (4 Holes)

Mount Dimension
in front mount 6-1/8" c/c)

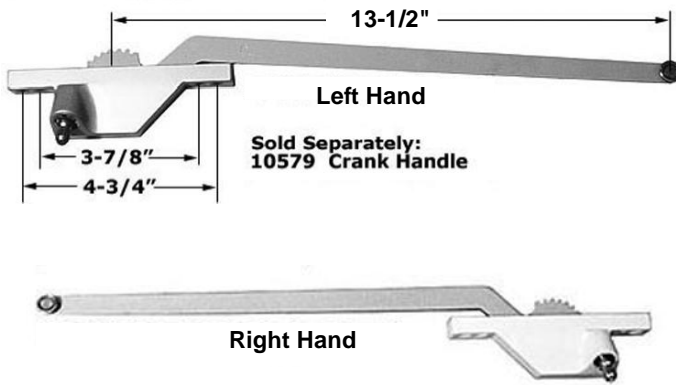
Operator Part No.	"A"	Mounting	Stabilizing Tab	"B" Arm Clearance
22.21	21-1/2"	Front	Order Part No. 11481	1/4"
22.22	21-1/2"			11/32"
22.23	16"			11/32"
22.27	-1/2"	Rear		1/4"
22.28	21-1/2"			11/32"
22.29	16"			11/32"

10579 Crank Handle
Sold separately

*Order 20008 Sash Hook
separately

Scissors Arm Operator For
Awning Windows

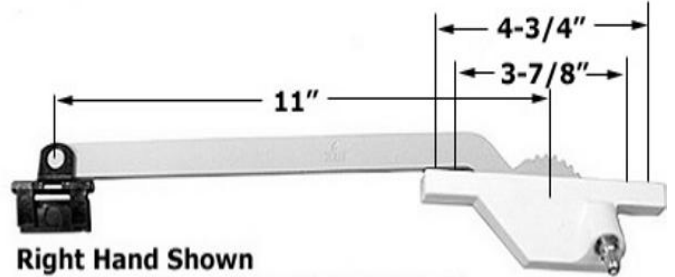
23.03.XX.001 as shown
23.03.XX.002 opposite



Sold Separately:
10579 Crank Handle

Note: The Color Code is the 5th & 6th
Digit of the Part Number

23.77.XX.001 as shown
23.77.XX.002 opposite



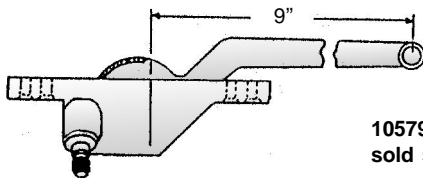
Right Hand Shown
For Left Hand, Order 23.77.32.002

Note: The Color Code is the 5th & 6th
Digit of the Part Number

For 9" Arm, See 23.04

10579 Crank handle sold separately

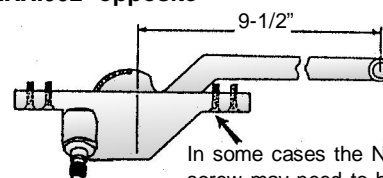
**Discontinued "Original Style"
Arm**



10579.XX crank handle
sold separately

Also available with rear mount housing.
Order #23.00.XX.001 as shown, above
or #23.00.XX.002 opposite

23.01.XX.001 as shown
23.01.XX.002 opposite

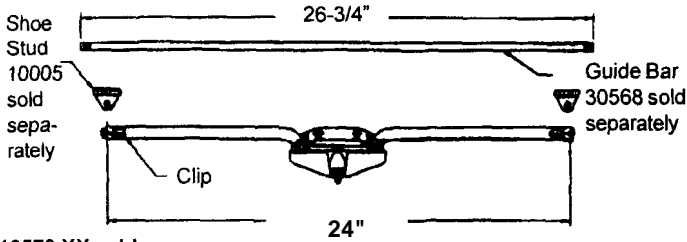


Due to engineering design
changes, "New Style Arm"
replaces original.

In some cases the No. 3 position mounting
screw may need to be eliminated or ground
down in length due to interference in the full
closing position of the arm. Another
alternative would be to grind a notch in the
arm to clear the screw end.

11.16.XX.001

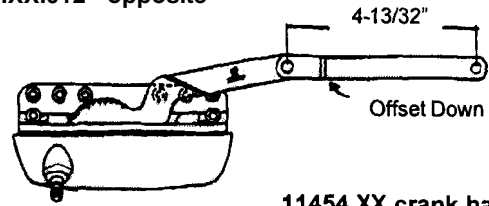
Truth Awning Operator



10579.XX sold separately

50.50.XX.011 as shown
50.50.XX.012 opposite

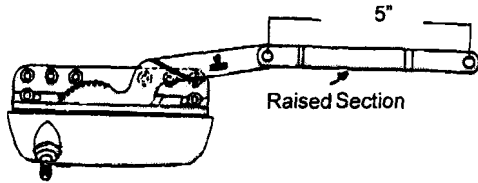
Maxim Dyad Operator



11454.XX crank handle sold separately

50.70.XX.011 as shown
50.70.XX.012 opposite

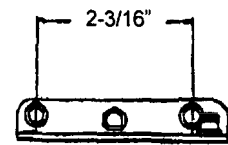
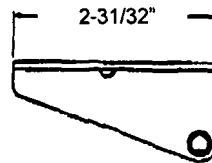
Maxim Reverse Dyad Operator



11454.XX crank handle sold separately

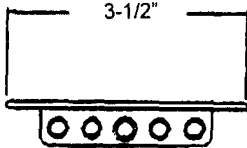
12510.92 opposite
12511.92 as shown

Stud Bracket for 50.50 operator, above



11674.92 as shown (non-handed)

Stud Bracket For 50.70 Operator, above



51.00.XX.011



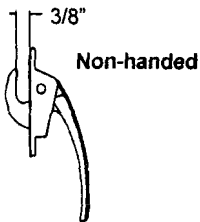
32 White (Shown)
Also Available in:
03 Bronze
24 Beige

Sold Separately:
11577.92 Track
11454 Handle
02997 Hinge

Shown Below in Open Position:

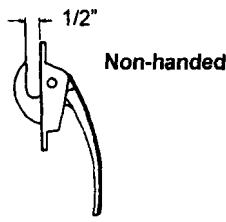


24.10 Locking Handle



2-3/8" hole centers

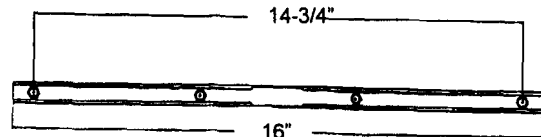
24.11 Locking Handle



2-3/8" hole centers

11577.92

Maxim Awning Track & Slider Assembly For 51.00 Operator, above.



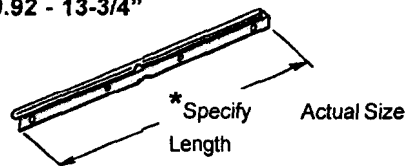
Sold separately

24.23 Locking Handle



2-3/8" hole centers

30473.92 - 11-3/8"
30150.92 - 13-3/4"



*Lengths available: 11-3/8" or 13-3/4"

30175



1001 Peachtree Operator

Order crank handle separately:
01001-1-060

800A

Sold as a kit

3-7/8" & 4-3/4" hole centers

- Determine the similarity of your sample to the picture, at left.
- Note the following:
 - 800-A kits work for most obsolete jalousie operators.
 - 800-A operators work on the left and right side.
 - 3 links in package allow for best hook-up to replace original.
 - Package includes all fasteners.

14

Arm Lengths: 9", 13"

Sold with #301 Crank Handle.
Right Hand Shown.

4-1/4" hole centers

54 **Detroit Swing Lite** only.

Now manufactured by Blaine

Bronze painted finish

Sold with #302 Crank Handle.

56 **Replacement**

Sold with #302 Crank Handle.

Specify Handing. Left Hand Shown. Left Hand Most Commonly Used.

2020 Crestline **738 Crestline**

No. 361 Gold Crank Handle Included

Now manufactured by Blaine

3/8"

Extra 14 Tooth Gears Also Available. Order 738. Covers no longer available.

14 tooth replacement gear for Crestline No. 2020 Operator

712 Ualco **726 Ualco**

5/16" 1/2" 11/16"

2" 1-1/2"

Operator for Residential Sash. Use with #712 Gear, shown at left and #399 Crank Handle. Both sold separately.

5/16" **399**

Die Cast Aluminum Finish

45 Stanley **45-1/2 Stanley**

Order No. 468-1" connector separately

Order No. 322 crank handle separately

No. 468-8" extension now unavailable.

45-1/2 currently unavailable

322 Crank handle sold separately

2100

Right hand only as shown

3/8" **Sold with #303 crank handle**

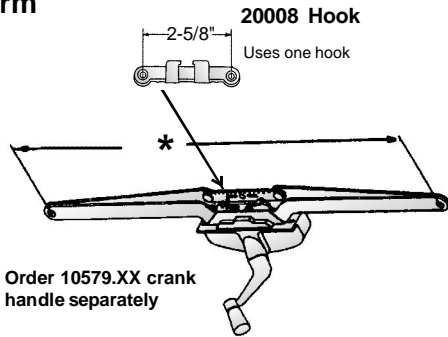
3718

Right Hand Shown

Aluminum Finish

Sold with #303 Crank Handle

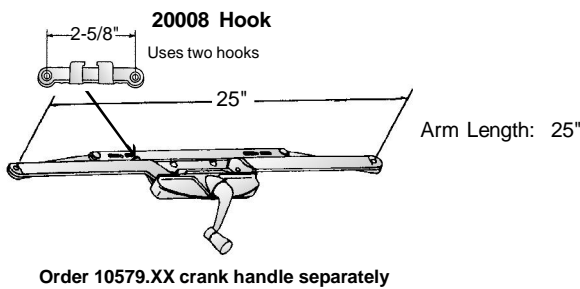
- 11.30 12" arm
- 11.12 16" arm
- 11.10 21" arm



Truth Part No.	Arm Length	Color
11.30.03.001	12"	Bronze
11.30.32.001	12"	White
11.10.29.001	21"	Gold
11.10.32.001	21"	White
11.10.03.001	21"	Bronze
11.10.24.001	21"	Beige
11.12.03.001	16"	Bronze
11.12.29.001	16"	Gold
11.12.32.001	16"	White

Note: Bronze - Painted Finish

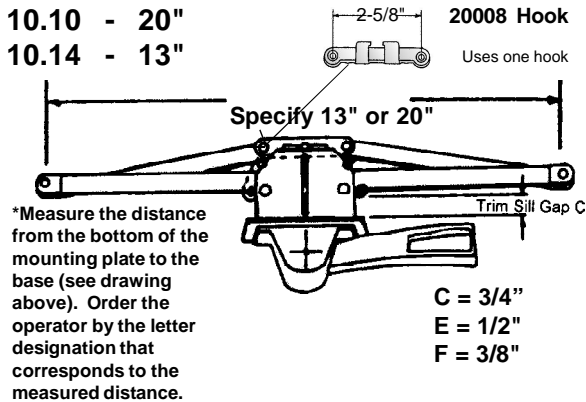
11.14



Blaine Part No.	Arm Length	Color
11.14.13.001	25"	Brass
11.14.29.001	25"	Gold
11.14.32.001	25"	White
11.14.03.001	25"	Bronze

Note: Bronze - Painted Finish
Brass - Bright Plated Finish

- 10.10 - 20"
- 10.14 - 13"

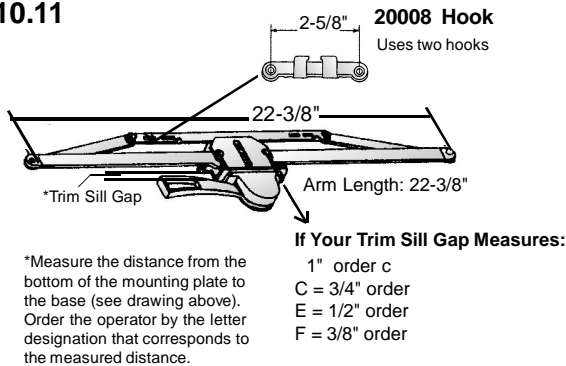


Truth Wood Window Awning Operator

Blaine Part No.	Trim Sill Gap	Color	Arm Length
10.14.03.003	3/4" C	Bronze	13"
10.10.29.001	3/4" C	Gold	20"
10.10.03.003	3/4" C	Bronze	20"
10.14.13.002	3/8" F	Brass	13"
10.14.37.001	1/2" E	Off White	13"
10.10.13.002	1/2" E	Brass	20"
10.10.29.005	1/2" E	Gold	20"
10.10.03.005	1/2" E	Bronze	20"
10.10.37.001	1/2" E	Off White	20"
10.14.29.001	3/8" F	Gold	13"
10.10.03.001	3/8" F	Bronze	20"

Note: Bronze - Painted Finish Brass - Bright Plated Finish

10.11



Truth Part No.	Trim Sill Gap	Color	Arm Length
10.11.29.004	3/4"	Gold	22-3/8"
10.11.03.005	3/4"	Bronze	22-3/8"
10.11.13.102	1/2"	Brass	22-3/8"
10.11.03.003	1/2"	Bronze	22-3/8"
10.11.29.002	3/8"	Gold	22-3/8"
10.11.03.001	3/8"	Bronze	22-3/8"
10.11.32.001	3/8"	White	22-3/8"