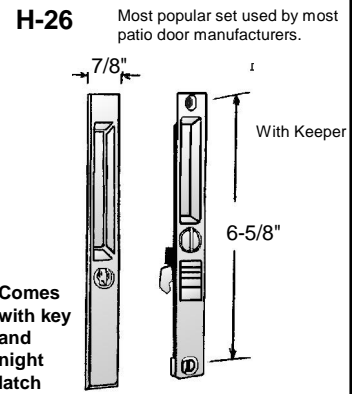
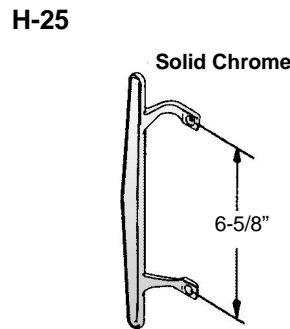
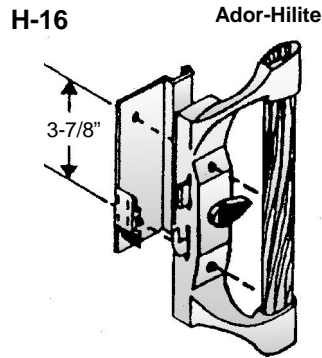
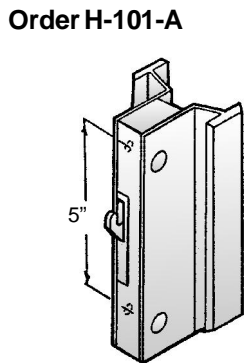
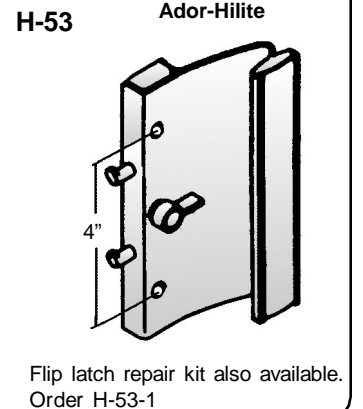
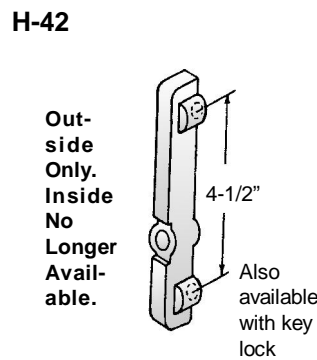
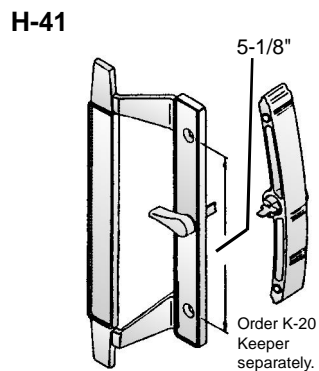
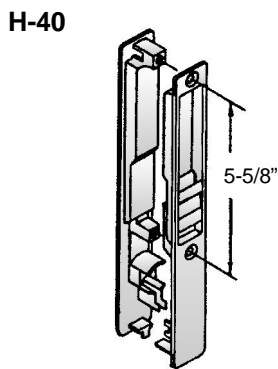
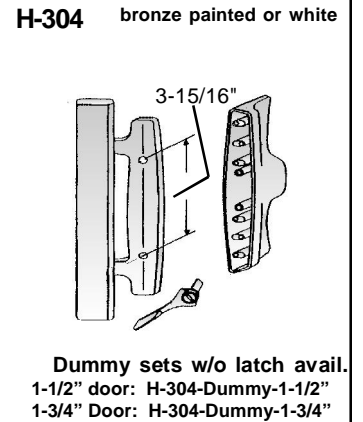
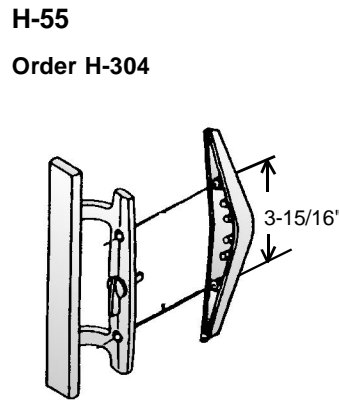
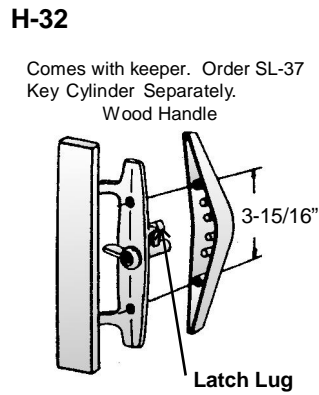
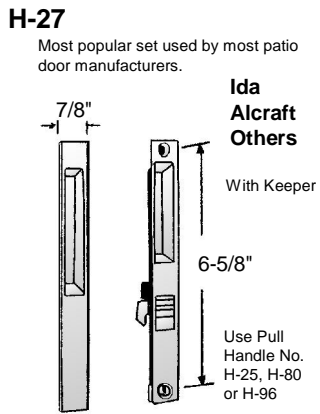


Daryl Patio Rama 300



H-13 Peachtree Unavailable



Available with or without key. Please specify.

H-33
OZARK/CAPITOL

H-54 Crossley

For 1" Door

H-54-A Crossley

Used with H-56 Pull

For 7/8" Door

H-56 Wood Grain
Use with H-54 & H-54-A

Adjustable

H-62 Tucker

No key cylinder available
Right Hand Shown

H-80

Deluxe wood handle with chrome brackets

H-96

Deluxe wood handle with chrome brackets

H-100

Original metal handle replaced with solid white nylon handle.

H-101-A Universal Style
See H-101-1 Keeper on page 138, sold separately.

Surface mount design replaces 90% of obsolete handles.

H-110

Front view
Universal Glass Door Pull. Interior or Exterior.

H-106

H-347

H-130

H-140

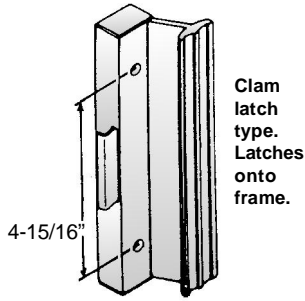
H-146

Order H-27 Replacement

H-160 Capitol

H-161

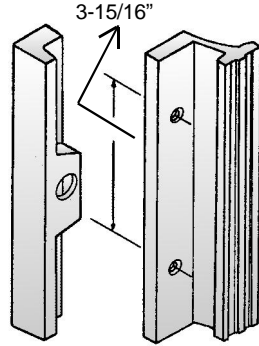
Avail. in black or alum. finish



comes w/ outside pull

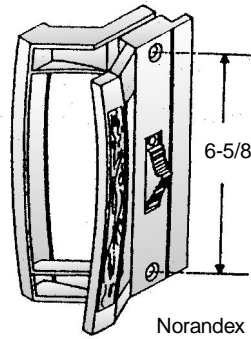
SL-37 Key Cylinder, Sold Separately

H-173



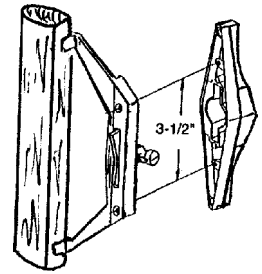
For key cylinder, order SL-37

H-180



Norandex

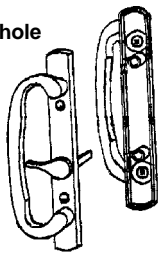
H-38



H-95

3-15/16" hole centers

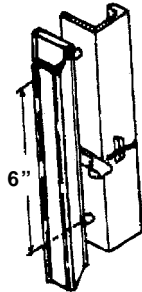
Specify finish



Specify door thickness, with or without key. Thumb turn off center as shown or centered.

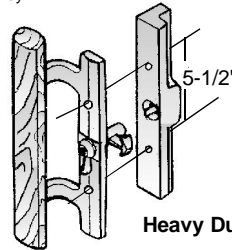
H-47

Old Arcadia door lock



H-298

When ordering complete handle with key cylinder, order H-298-With Key



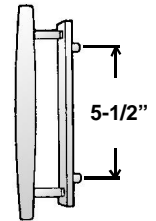
Heavy Duty

Replacement for standard duty H-98 which is no longer available

H-300-OS

Andersen

1966 Rounded Style

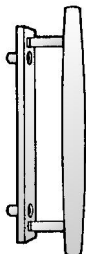


Specify outside or inside pull. Available in Rose Gold or satin silver.

H-300-IS

Andersen

1966 Rounded Style

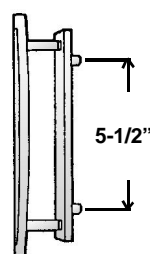


Specify outside or inside pull. Available in Rose Gold or satin silver.

H-301-OS

Andersen

1973 - 1981 Dished Style



Specify outside or inside pull. Available in stone color only.

H-301-IS

Andersen

1973 - 1981 Dished Style

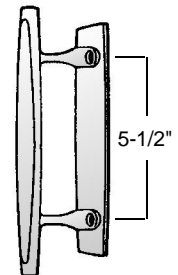


Specify outside or inside pull. Available in stone color only.

H-302-IS

Andersen

1982 Dished Style



Specify outside or inside pull. Available in stone color only.

H-302-OS

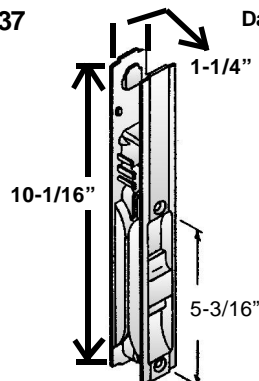
1982 Dished Style Andersen



Specify outside or inside pull. Available in stone color only.

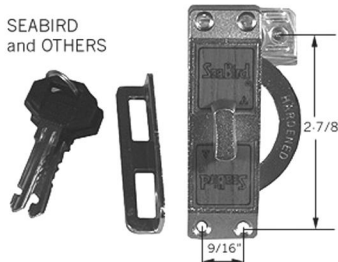
H-37

Daryl



H-75

SEABIRD and OTHERS

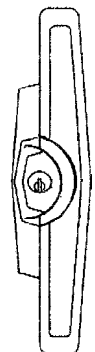


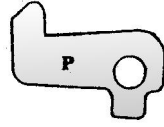

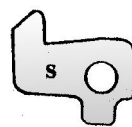

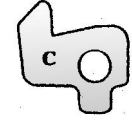

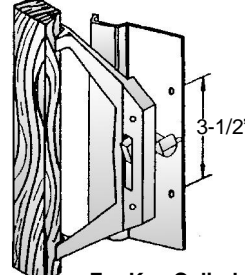
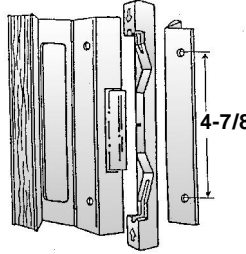
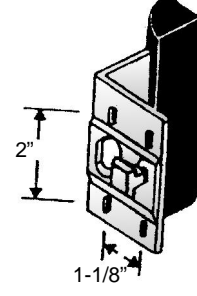
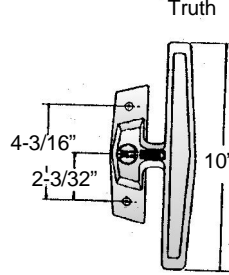
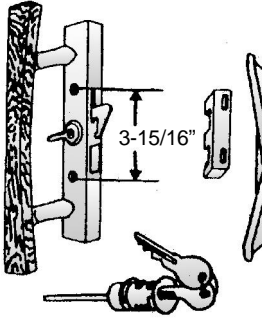
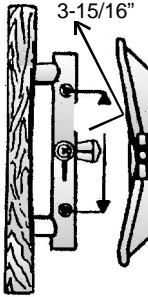
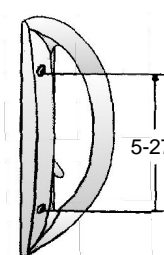
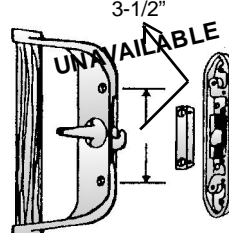
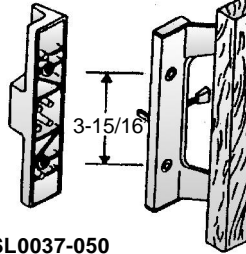
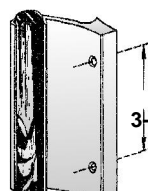
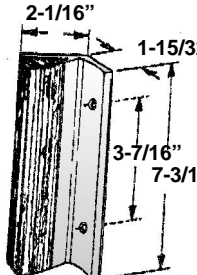
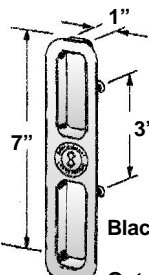
40.12.03.100
40.12.03.101

Truth Outside Pull

40.12.03.100 will accept key cylinder no. 31815, sold separately

40.12.03.101 not key cylinder acceptable



<p>H-27-P Optional Latches For H-27 Handle</p>  <p>H-27-X</p> 	<p>H-27-S</p>  <p>H-27-Z</p> 	<p>H-27-S H-27-C Optional Latches For H-27 Handle</p> <p>Standard w/ "C" Latch</p> 	<p>H-27-K</p> 
<p>H-106</p>  <p>3-1/2"</p> <p>For Key Cylinder, Order H-106-Key</p>	<p>H-348 Rusco / Look</p>  <p>4-7/8"</p>	<p>H-159 Capitol</p>  <p>2"</p> <p>1-1/8"</p>	<p>40.11.XX.100 Truth</p>  <p>4-3/16"</p> <p>2-3/32"</p> <p>10"</p> <p>various colors available</p>
<p>H-170-KIT</p>  <p>3-15/16"</p> <p>Sold with SL0037 key cylinder</p>	<p>H-171</p>  <p>3-15/16"</p>	<p>40.45 -w/o lock cylinder 40.46 - w/lock cylinder</p>  <p>5-27/64"</p> <p>Truth Various Finishes Available</p>	<p>H-21</p>  <p>3-1/2"</p> <p>UNAVAILABLE</p> <p>Order H-101-A Replacement</p>
<p>H-59 New Style Shown</p>  <p>3-15/16"</p> <p>SL0037-050 Key cylinder</p>	<p>H-320 Ador / Hilite</p>  <p>3-7/8"</p> <p>Aluminum finish with wood pull</p>	<p>H-328</p>  <p>2-1/16"</p> <p>1-15/32"</p> <p>3-7/16"</p> <p>7-3/16"</p>	<p>H-329 International</p>  <p>1"</p> <p>7"</p> <p>3"</p> <p>Black finish Outside pull</p>

H-312

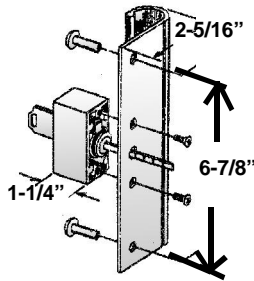


Center to Center
Hole Spacing
3-15/16"

Outside Handle Only
For Complete Set - Inside and
Outside Handle, Order H0312-SET
For Key and Housing, Order H0312-1

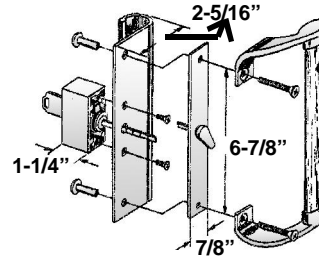
H-326

Daryl & Others
Aluminum finish



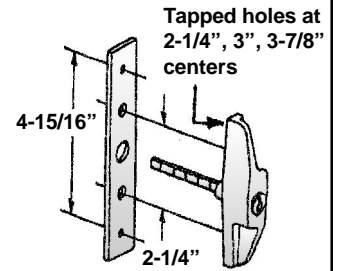
**H-326-Assembly (w/o key)
H-326 Assy-w/key**

Daryl & Others
Aluminum finish



H-327

gray zinc



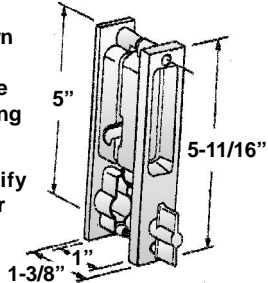
Order H-16 outer with key

H-331

Fran Meyer

Left
hand
shown
from
inside
looking
out

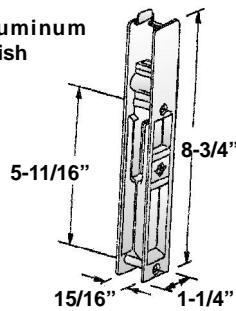
Specify
left or
right
hand



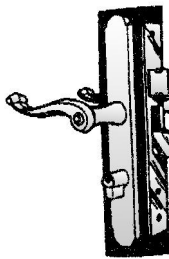
H-332

Adams-Rite

Aluminum
finish



H-356



7-1/2" hole
spacing

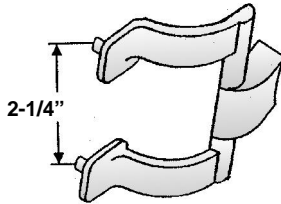
Available only in left hand

Features:
Backset: 1"
Swing deadbolt:
1" throw
Latch: 1/2"
projection, easily
reversible
Cylinder Unit: 1
piece, solid brass
Solid cast brass
lever / plate
assemblies
Strike included

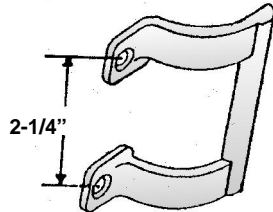
**Shower
Door
Hardware**

HANDLES

H-343-B

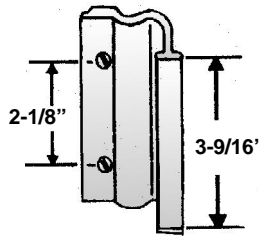


H-315



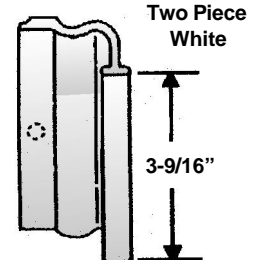
For 2" model, order H-343

Obsolete. Replaced
by new style at right.



Old Style

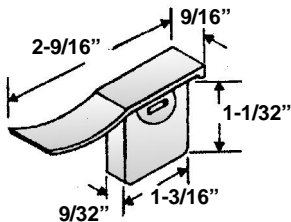
6679



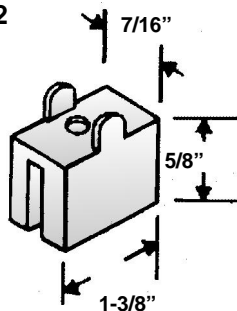
New Style

DOOR GUIDES

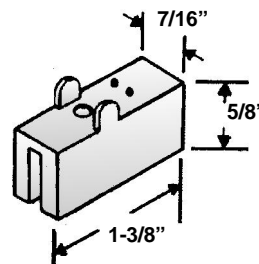
6681



6682



6683



6680

